



P43 Specification for Traffic Signals

© NZ Transport Agency

Second edition, Amendment 3

Effective from 01 June 2020

ISBN 978-1-98-856116-5

TABLE OF CONTENTS

1 General..... 4

1.1 Scope and Foreword 4

1.2 Objectives 4

1.3 Interpretation 4

1.4 Outcome of this specification 4

1.5 Review Process..... 4

1.6 Referenced Documents 5

1.7 Definitions and abbreviations 7

2 Minimum requirements of signal equipment 9

2.1 General..... 9

2.2 Signal equipment compliance and approvals 9

2.3 Traffic signal controller 10

2.4 Signal lanterns 13

2.5 Poles and pole terminal assemblies 13

2.6 Pedestrian and cycle detection..... 17

2.7 Inductive loop detectors (vehicle and cycle) 17

2.8 Uninterruptible Power Supply (UPS) for Traffic Signals 18

2.9 Testing of equipment 20

3 INSTALLATION AND COMMISSIONING OF TRAFFIC SIGNAL EQUIPMENT 21

3.1 General..... 21

3.2 Temporary traffic management 21

3.3 Supply of communications & electric power 21

3.4 Waterproofing 21

3.5 Electrical wiring 21

3.6 Controller cabinet 22

3.7 Controller terminations 22

3.8 External vehicle loop detector units 23

3.9 Pole locations and installation 23

3.10 Signal lanterns 24

3.11 Inductive loops 25

3.12 Pedestrian and cycle push button assembly 27

3.13 Painting and surface coating of equipment 27

3.14 Special tools and keys 28

3.15 Acceptance and testing 28

3.16 As-built documentation to be provided 30

3.17 Procedure for turning off signals..... 30

4 CABLING AND CIVIL WORKS 32

4.1 General..... 32

4.2 Cable diagram..... 32

4.3 Trenching 32

4.4 Cabling, ducting, and signal duct access chambers 32

4.5 Installation of signal poles and mast arm/JUMA/JUSP poles 35

4.6 Controller base 35

4.7 Kerbside junction boxes 35

4.8 Labelling of cables 36

4.9 Cabling documentation 36

5 MAINTENANCE OF NEW WORK DURING DLP 37

5.1 Fault attendance 37

5.2 Repairs and maintenance during construction 37

5.3 Preventative maintenance during DLP period 37

Appendices

Appendix A – Inductive Loop Layout Details 38

Appendix B – 5 Metre Pole Top Assembly..... 40

Appendix C – Signal Pole Details 42

Appendix D – Ground Plant Pole 59

Duct Access Details 59

Appendix E – Lantern Shroud Details - Informative 60

Appendix F – Cable Termination Chart Example 61
 Appendix G – Site Acceptance Test Chart 62
 Appendix H – Controller Bench Testing Form 65
 Appendix I – Street-light Circuit Example 66
 Appendix J – New Intersection Commissioning Form 67
 Appendix K – RAMM Asset Data Form 69
 Appendix L – Controller Gland Plate - Informative 70
 Appendix M – Cycle Push Buttons - Informative 71
 Appendix N – Mounting Strap Locking Mechanism 72
 Appendix O – UPS Prioritisation Chart 73
 Appendix P – 230v Streetlights on ELV Controllers 74
 Appendix ZZ – Revision Update change Log 75

Tables

Table 1 – Lantern mounting strap dimensions 24
 Table 2 – Painting and surface coating of equipment 28
 Table G01 – Site acceptance sheet 3 of 3 (continued) 64
 Table H01 – Controller bench test form 65
 Table O01 – UPS Prioritisation Chart 73

Figures

Figure A01 – Vehicle loop details 38
 Figure A02 – Cycle loop details 39
 Figure B01 – Pole Top Assembly 40
 Figure B02 – Pole Top Assembly 41
 Figure C03 – Type 2 Combined CCTV Pole Ground Plant 45
 Figure C04 – Type 2 Combined CCTV Pole Retention Socket 46
 Figure C05 – Type 8 Hinged NASSRA Pole Ground Plant 47
 Figure C06 – Type 8 Hinged NASSRA Pole Retention Socket 48
 Figure C07 – Type 0 Extension Signals Pole Ground Plant 49
 Figure C08 – Type 11 Cycle NASSRA Pole with Cycle Hoop - Retention Socket 50
 Figure C09 – Octagonal JUSP Pole Ground Plant 51
 Figure C10 – Octagonal JUSP Pole Flange Mount 52
 Figure C12 – Urban JUSP Retention Socket 53
 Figure C13 – Type 3s & 5s JUMA - CCTV - Flange Mount 54
 Figure C14 – Type 3, 5, & 7 JUMA Columns – Street Light Extension - Flange Mount 55
 Figure C15 – Type 9 Cycle Mastarm Columns - Flange Mount 56
 Figure C17 – Type 1 NASSRA Pole Cycle Hold Rail Ground Plant 57
 Figure C18 – Pedestrian Stub Pole Cycle Hold Rail Ground Plant 58
 Figure D01 – Duct access details 59
 Figure E01 – Vehicle lantern shroud 60
 Table F01 – Example cable termination chart 61
 Table G01 – Site acceptance sheet 1 of 3 62
 Table G01 – Site acceptance sheet 2 of 3 (continued) 63
 Figure I01 – Typical circuitry for street-lighting powered from a traffic signal controller 66
 Table J01 – New installation acceptance (NIA) checklist follows on next page 67
 Table K01 – Asset information form 69
 Figure L01 – Bottom of controller with gland plate fitted and access panel fitted 70
 Figure L02 – Bottom of controller cabinet with gland plate access panel removed 70
 Figure M01 – Cycle Push Button with cycle disc and call-accept 71
 Figure N01 – Mounting Strap Locking Mechanism (Dimple Washer) 72

P43 SPECIFICATION FOR TRAFFIC SIGNALS

1 GENERAL

1.1 Scope and Foreword

1.1.1 Exclusions

This document is intended as a technical specification for equipment and best practice during the installation, maintenance and upgrade of traffic signals. Compliance with this specification does not indicate compliance with any other legal or contractual requirements (eg traffic management, health & safety requirements etc).

1.2 Objectives

This specification is intended to encompass best practice for the supply of equipment and its installation at new sites, as well as when undertaking maintenance and upgrade works at traffic signals throughout the country. It is recognised that individual Road Controlling Authorities (RCA) will have their own specific requirements. Therefore, this specification needs to be read in conjunction with the Regional Special Conditions to P43, as produced by the local RCA in which the work is being undertaken.

1.3 Interpretation

For the purposes of this specification, the word 'shall' refers to requirements that are essential for compliance with the specification, while the word 'should' refers to practices that are advised or recommended.

This specification includes a number of appendices. These appendices are supplied to allow the provision of greater detail without filling the specification with diagrams.

All appendices are an integral part of the specification, unless specifically marked as 'Informative'.

RCA's may provide different details than those shown in the appendices. In that case, it will be noted in the RCA Regional Special Conditions if an appendix is to be considered informative in that region.

1.4 Outcome of this specification

This specification sets out the details for the selection and installation of equipment involved with the installation, maintenance and upgrade of traffic signals and associated systems.

Compliance with this specification will ensure that traffic signal installations will operate reliably, safely and in a consistent manner, regardless of installation location.

1.5 Review Process

This document has been produced by the Signals NZ User Group (SNUG), and continues to be maintained and updated by the SNUG committee.

Any comments and recommendations should be sent to the secretary of the SNUG committee. The SNUG committee will compile comments and recommendations at the annual SNUG meeting for consideration. In the event of a major change the SNUG committee will convene a subgroup to work through and propose changes.

1.5.1 Interim Update

To ensure standards are updated and to address industry changes, interim updates will be posted on the SNUG website <http://snug.org.nz/specifications/>

1.5.2 Major Updates

See appendix ZZ for the list of revisions, changes and updates.

1.6 Referenced Documents

The users of this specification should ensure that their copies of the following documents are the latest revisions. Note that standards are frequently updated, and references contained within this standard may not keep pace with such changes. The reader is to satisfy themselves that the essence of this standard is being adhered to,

Reference is made in this document to the following:

NEW ZEALAND STANDARDS

NZS 3109	Concrete construction
NZS 3114	Specification for concrete surface finishes
NZS 3404	Steel structures standard (Parts 1 & 2)
NZS 3910	Conditions of contract for building and civil engineering construction

JOINT AUSTRALIAN/NEW ZEALAND STANDARDS

AS/NZS 1163	Cold-formed structural steel hollow sections
AS/NZS 1170	Structural design actions <ul style="list-style-type: none"> Part 0:2002 General principles Part 1:2002 Permanent, imposed and other actions
AS/NZS 1554	Structural steel welding <ul style="list-style-type: none"> Part 1:2014 Welding of steel structures
AS/NZS 2276	Cables for traffic signal installations <ul style="list-style-type: none"> Part.1 Multicore power cables Part 2 Feeder cables for vehicle detectors Part 3 Loop cable for vehicle detectors
AS/NZS 2312	Part.1 Guide to the protection of structural steel against atmospheric corrosion by the use of protective coatings
AS/NZS 2980	Qualification of welders for fusion welding of steels
AS/NZS 3000	Electrical wiring regulations
AS/NZS 4058	Precast concrete pipes
AS/NZS 4676	Structural design requirements for utility services poles
AS/NZS 4677	Steel utility services poles
AS/NZS 4680	Hot-dip galvanized (zinc) coatings on fabricated ferrous articles
AS/NZS 5131	Structural steelwork – Fabrication and erection

INTERNATIONAL STANDARDS

IEC 60947	Low-voltage switchgear and control gear <ul style="list-style-type: none"> Part 7-1 Ancillary equipment – Terminal blocks for copper conductors
IEC 60998	Connecting devices for low-voltage circuits for household and similar purposes <ul style="list-style-type: none"> Part 1 General requirements Part 2-1 Particular requirements for connecting devices as separate entities with screw-type clamping units

AUSTRALIAN STANDARDS

AS 2144	Traffic signal lanterns
AS 2339	Traffic signal posts and attachments
AS 2353	Pedestrian push button assemblies
AS 2578	Traffic signal controllers
AS2700	Colour Standards for General Purposes
AS 2703	Vehicle loop detector sensors
AS 3996	Access covers and grates
AS5715	Uninterruptible power systems (UPS) for roadside devices

WITHDRAWN STANDARDS

The following standards have been withdrawn but not yet replaced, as such they are still being referenced within this standard. Where new and old standard conflict refer to the interim update or :

AS 2578	Traffic signal controllers (withdrawn 2019)
NZS 5431	Specification for traffic signals
AS/NZS 4676	Structural design requirements for utility services poles (withdrawn 2017)

OTHER PUBLICATIONS

NZCEP 34	New Zealand code of practice for electrical safe distances
RTS14	Guidelines for facilities for blind and visually impaired pedestrians, third edition – May 2015, Roads and Traffic Series
CoPTTM	Code of practice for temporary traffic management (NZTA Publication)
Austrroads	Guide to traffic management, Part 10, Traffic Control and communication devices
RMS TSC/4	Compliant controller specification
NZTA	Pedestrian planning and design guide
MRTS252	Next Generation Traffic Signal Controllers – Transport and Main Roads – Queensland
TCS 016	The Supply and Installation of Traffic Signal Controllers – Vic roads

NZTA P43 - SPECIFICATION FOR TRAFFIC SIGNALS

1.7 Definitions and abbreviations

1.7.1 Definitions

For the purpose of this specification this specification, unless inconsistent with the context, the following definitions apply.

Engineer	As Per NZS 3910 “Conditions of contract for building and civil engineering construction”
Client	As Per NZS 3910 “Conditions of contract for building and civil engineering construction”
Commissioning	The act of final acceptance of the signal installation, switching on the signals following site acceptance testing.
Commissioning Date	The date that <i>all</i> the following have occurred – SAT has been completed, successful completion of full operational tests by the RCA Traffic Signal Engineer, and the traffic signals are left operating for public use.
Asset Handover	The date defined in the installation contract where the warranty period commences.
Contractor	As Per NZS 3910 “Conditions of contract for building and civil engineering construction”.
RCA Traffic Signal Engineer, Also referred to as Signal Engineer	The RCA Traffic Signal Engineer is ultimately responsible for traffic signals for the RCA. This person is a technical person and is not generally associated with the contract. They are the Traffic Signal Engineer who will be operating the installation once it is completed. Larger RCA’s have delegated this responsibility to Transport Operations Centres (TOC’s). It is the traffic signal contractor’s responsibility to verify who the RCA Traffic Signal Engineer is before any work commences.

1.7.2 Abbreviations

Abbreviations used in this specification have the following meaning. The singular includes the plural and the plural includes the singular.

AS	Australian Standard
CIS	Controller Information Sheet
CLB	Carriageway Loop Box
DLP	Defects Liability Period
ELV	Extra Low Voltage
HHT	Hand Held Terminal
JUMA	Joint Use signal Mast Arm pole
JUSP	Joint Use signal and Streetlight Pole

KJB	Kerbside junction box
LED	Light Emitting Diode
MCB	Miniature Circuit Breaker
MPa	Megapascals
NATA	National Association of Testing Authorities (Australia)
NZS	New Zealand Standard
NZTA	New Zealand Transport Agency / Waka Kotahi
PROM	Programmable Read-Only Memory (controller configuration)
PVC	Polyvinylchloride
RAMM	Road Assessment and Maintenance Management
RCA	Road Controlling Authority
RCD	Residual Current Device
RMS	Roads & Maritime Services (the developers of SCATS)
SCATS	Sydney Co-ordinated Adaptive Traffic System
SPT	Special Phase Time
TMP	Traffic Management Plan
TRAFF	Internal Operating System for Traffic Signal Controller
UMB	Upper Mounting Bracket
UPS	Uninterruptible Power Supply
V	Volts
WK	Waka Kotahi (NZ Transport Agency)

1.7.3 Glossary

Terms used in this specification.

Brownout Where the voltage drops to below the minimum allowable supply threshold.

2 MINIMUM REQUIREMENTS OF SIGNAL EQUIPMENT

2.1 General

Section 2 sets out the requirements of all signal equipment offered for supply and installation, whether for new sites, upgrades or through maintenance, including, the local signal controller, controller cabinet, uninterruptible power supply, detectors, lanterns, target boards, visors, poles and pole top assemblies, and push button assemblies.

2.1.1 *Uninterruptible Power Supply (UPS) for Traffic Signals*

Removed and consolidated in Section 2.8.

2.2 Signal equipment compliance and approvals

All traffic signal components shall comply with this specification and shall either:

- (a) Have been previously supplied to the road controlling authority (RCA) or client, and found satisfactory in operation, or
- (b) Be demonstrated in a working condition and given approval by the RCA Traffic Signal Engineer before the closing date for tenders. The Engineer may give provisional approval if, in the RCA Traffic Signal Engineer's opinion, the equipment is fit for purpose and is able to be connected to the Sydney co-ordinated adaptive traffic system (SCATS) traffic management system (if required to be connected to SCATS). See Section 2.2.1.

The equipment shall also comply with all relevant electrical regulations and local power supply authority's requirements.

2.2.1 *Provisional approval*

Provisional approval for non-complying equipment may be given by the RCA Traffic Signal Engineer for Regional Approval providing it can be shown that the proposed equipment meets all specified requirements, including safety and other regulatory requirements, and provides the same desired outcome.

Equipment with provisional approval is required to operate in accordance with this specification, and the associated regions special conditions. This will not remove the contractor's maintenance obligations detailed within this specification or as amended by a specific clause in the associated RCA's Regional Special Conditions to P43. In many cases, equipment with provisional approval may require maintaining for a longer period than 1 year. The contractor will be notified of this period when granted provisional approval. Maintenance, at no cost to the RCA or client, will be required until full approval for the equipment is given.

In general, equipment will be required to operate under normal working conditions without failure for a period of 12 months. This may apply to one-off, or a multiple number, of units.

2.2.2 *Guarantee / Warranty period*

Unless specified elsewhere in this specification, all equipment and hardware supplied or installed shall be guaranteed by the manufacturer against faulty materials and workmanship for a minimum period of [1] year from the date of commissioning.

The guarantee period commences from the date of commissioning and not the date of manufacture or installation.

Where there is a difference between the main contract's defects and liability requirements and this specification, the longer time period shall apply.

Exceptions to the above include: traffic signal controller components (as per manufacturer), UPS controller (as per manufacturer), UPS Batteries (5 years), poles, and painting (10 years).

LED (lamp) modules shall have a 5-year guarantee period. For new installations, the guarantee period shall commence from the date of commissioning. For replacement modules, the guarantee period shall commence from the date of installation of the LED (lamp) module.

All guarantee and warranty work must be done at no cost to the asset owner, or their representative.

See Section 5 for cost liabilities for any failure or fault during the contract maintenance or defects liability period.

2.3 Traffic signal controller

2.3.1 AS 2578:2009 – Traffic signal controller

Note: AS 2578:2009 has been withdrawn with no replacement. As such the latest version is still being referenced for the time being.

Subject to the following special conditions (Section 2.3.2), the traffic signals controller shall comply with AS 2578. This includes all aspects of the controller, cabling, mounting, cabinet, and logic rack as detailed in AS 2578, including the provision of options as detailed in Appendix A of AS 2578.

2.3.2 New Zealand special conditions to AS 2578:2009

The following amendments shall be made to AS 2578 for supply and installation in New Zealand under P43. The numbers referred to are the clause numbers in AS 2578.

1.4.10 – Additional requirement for New Zealand

In accordance with AS/NZS 3000, the RCD supplied shall meet the conditions of 2.6.2.2 of AS/NZS 3000 for New Zealand installations.

2.3.3 – Additional requirement for New Zealand

The controller should have ventilation grilles in the base, above the finished ground level, and below the gland plate as detailed in 2.3.4. A recommended option is to fit a 'pedestal' between the base and the controller cabinet. This pedestal shall be at least 100 mm tall, and the same width and depth as the controller cabinet and base.

2.3.4 – Additional requirement for New Zealand

A gland plate and removable access panel shall be fitted at the bottom of the controller cabinet. A suitable example is shown in this specification Appendix L. Any unused cable entries shall be 'plugged' with plugs that can be easily removed. The glands, gland plate, and access panel shall prevent entry of vermin and so on into the bottom of the controller cabinet with all gaps to be sealed with RTV silicon to stop insects entering the cabinet.

The access panel shall be installed to allow easy removal for maintenance tasks in the bottom of the cabinet.

2.3.7 – For New Zealand delete Figure 2.5.

2.3.7 – Additional requirement for New Zealand as per NOTE.

The purchaser requirement for New Zealand cabinet locking is as follows:

- (a) Recessed handle(s);
- (b) Three-point locking at top, bottom, and side;
- (c) A single-key mechanism; with the lock keyed for FS880, unless specified by the local RCA's regional amendments to P43.

2.3.12 – Change requirement for New Zealand

Replace second paragraph with –

The equipment shelf shall be mounted not less than 390 mm below the top of the door opening, and this shelf shall be the width of the controller cabinet.

Clause 2.3.12 – Additional requirement for New Zealand

The equipment shelf shall be sufficiently deep enough to hold the logic module but shall have at least 50 mm clearance from the front face to the inside of the door.

New clause for New Zealand

Communications socket outlet and MCB

A circuit breaker shall be installed in the 'spare position' defined in AS2578:2009, Section 2.5.11(f). This circuit breaker shall be rated at 16 A, Type C, with a fault-make load-break fault current rating not less than 8 kA and shall control a new double-socket outlet specifically for communications and camera equipment, where the 230 V power for such equipment is supplied by 3-pin plug. The communications equipment socket outlet shall be clearly labelled 'Communications equipment only – NOT RCD PROTECTED'. RCD protection shall not be provided for this socket.

New clause for New Zealand

Stand-by generator connection

The controller housing shall be fitted with all of the facilities required for the connection of an external generator as specified in AS 2578. The controller housing connector for the external generator shall be a male three-pin (flat) 15A connector complying with AS 3112.

It is desirable that the 'presence of power' indicator lights specified in AS 2578 are green to indicate mains supply and yellow to indicate generator supply. The indicator lights should have a design life of at least 15 years.

New clause for New Zealand

Street lighting power

Where there is a power supply to street-lighting mounted on a shared traffic signal pole, it **must** be fed through the traffic signals control cabinet.

The street-light power circuit shall be supplied through the traffic signal controller mains power isolation switch.

A dedicated MCB shall be provided and shall be installed in the 'spare position' defined in AS2578:2009, Section 2.5.11(f). Where the detector' MCB detailed in AS2578:2009 Section 2.5.11 (d), is not being utilised and if suitably rated, it may be reassigned as the street-lighting circuit protection, in which case it shall be clearly relabelled

Appendix I, Figure R01 shows an example of street-lighting fed through the traffic signal controller.

New clause for New Zealand

Electricity revenue meter

Each electricity retailer and each electricity lines company have slight variations with their electricity revenue meter requirements. For regional specifics, consult the local RCA's regional amendments to P43.

2.13.1 – Change requirement for New Zealand

Replace the entire paragraph with –

Conformance with New Zealand communication requirements

Any device designed or intended for connection to a telecommunications network shall comply with the applicable requirement:

- (a) Telepermit requirements - Any device to be directly connected to the Chorus network shall display the New Zealand Telepermit label. For more information visit <http://www.telepermit.co.nz>.
- (b) Radio requirements – Any wireless device shall comply with the (New Zealand) Radiocommunications Act. For more information visit <http://www.rsm.govt.nz>.

2.18 – NOTE

The service light is a standard requirement for all New Zealand controllers.

2.22.5 (b) – change requirement for New Zealand

Replace entire requirement with ‘Telepermit label and PTC number’.

2.3.3 Controller firmware

Prior to testing and installation, the following requirements shall be met:

- (a) The controller shall be designed in accordance with the Roads and Maritime Services (RMS) TSC4 specification;
- (b) The controller (including logic rack and all other modules) shall have the current manufacturer software, firmware, and hardware updates applied at the time of installation.

2.3.4 SCATS compliance and TRAFF version

Where the controller is to be connected to SCATS, the following conditions apply:

- (a) The controller shall be running the latest version of approved firmware for that controller model, notwithstanding, the minimum software version must be VC6,
- (b) A copy of the RMS SCATS compatibility certificate for that model of controller & firmware shall be supplied to the RCA Traffic Signal Engineer, if requested or not previously supplied.

2.3.5 New controller types

Where a contractor proposes to install a new controller type not previously installed in the area of the RCA, the following conditions shall be met:

- (a) Written approval shall be obtained from the RCA Traffic Signal Engineer;
- (b) The supplier (or their agent) shall offer to make a presentation on the controller to the RCA Traffic Signal Engineer and provide a loan logic rack at no charge to allow the RCA Traffic Signal Engineer and maintenance contractor, to test the controller and become familiar with it;
- (c) The supplier (or their agent) shall provide a training course to the RCA’s existing maintenance contractor, at no charge to the engineer or the maintenance contractor;
- (d) If the new controller requires special configuration tools, or will not work with the RCA’s maintenance contractor’s HHT, the supplier (or their agent) shall provide all equipment required to allow full HHT operation with the controller. This may include computer hardware & software, or a new HHT, as required by the RCA Traffic Signals Engineer to integrate with the operations of the current maintenance contractor;
- (e) The RCA Traffic Signal Engineer has the final right to deny installation of any controller type in their area.

2.3.6 Communications ‘Top Hat’ Cabinets

Communications top-hat cabinets must be installed at all sites unless specifically requested by the RCA Traffic Signal Engineer.

This must include the installation of a fixed rack shelf to allow installation of communications hardware.

With reference to section 2.3.2, the communications socket outlet circuit must terminate in a PCU (permanent connection unit), and be connected to a suitable rack-mounted power rail. This power rail must include LED’s to indicate that power is available, and earthing is present.

2.3.7 ELV (Extra Low Voltage) Installations

All new sites must be ELV sites. To clarify, this means that MEN Mains Voltage is only present in the signal controller cabinet, with all site cabling and equipment meeting the ELV requirements.

Where dimming is to be used, this must be done as ‘dim by wire’.

Where 230v streetlighting is installed on JUSP’s, ELV step-up transformers must be used at the Montrose box. Specific requirements for this can be found in the WK / NZTA ‘Specification for Streetlights at ELV sites’ (linked in Appendix P).

Consideration must be given to ensure voltage drop requirements are not exceeded at large ELV sites.

2.4 Signal lanterns

2.4.1 *General*

The technical requirements for traffic signal lanterns including cowls, visors, and louvres shall be as stipulated in AS 2144, including amendments as issued from time to time, with the exception that all new traffic signal lanterns shall be supplied with LED lamps.

2.4.2 *Signal sizes*

The nominal size of pedestrian and general-purpose signals, as referred to in AS 2144, shall be 200 mm.

The nominal size of extended range signals, as referred to in AS 2144, shall be 300 mm.

Extended range signals shall be used on all overhead mast arm displays and on high speed approaches or as directed by the RCA Engineer.

2.4.3 *LED lanterns*

All LED lanterns, visors, louvres and target boards shall comply with this specification. In addition LED lanterns shall have an independent NATA certified laboratory report confirming compliance with AS 2144. This must be supplied to the RCA Traffic Signal Engineer on request.

2.4.4 *Lantern body construction*

Lantern bodies must be compliant with AS2144. They must be recyclable in New Zealand, and have an anticipated lifespan of at least 20 years. They must be installed to the manufacturers' installation instructions.

The lantern doors shall be capable of being hinged on both the left and right without the need for tools. Lantern doors shall be able to be replaced without the need to disturb the lantern mountings.

2.4.5 *Visors (cowls)*

Each visor shall fit tightly against the door and shall not permit any perceptible filtration of light between the door and the visor.

All visors shall be made from plastic.

Unless specified elsewhere, all visors shall be one of the following:

- (a) Open type visor – For use on primary lanterns;
- (b) Closed type visor – For use on secondary or tertiary lanterns;
- (c) Pedestrian visor – Each standard 200 mm diameter pedestrian lantern shall be fitted with an approved rectangular visor.

2.4.6 *Target boards (backing boards)*

Target boards shall be fitted to each vehicle lantern supplied. The target boards shall be as specified in AS 2144, and shall be constructed using type 5005 aluminium alloy with a minimum thickness of 1.6 mm. Each target board shall be fully interchangeable in accordance with the criteria recommended in Appendix F of AS2144. The surface treatment shall be baked enamel (black).

All target boards shall incorporate a white border as detailed in AS2144.

2.5 Poles and pole terminal assemblies

2.5.1 *Traffic poles*

The design requirements for all traffic poles shall be in accordance with AS/NZS 4676 and AS/NZS 4677.

Design of the components for strength will be in accordance with the parameters set out in (a) to (g) below.

Only poles and arms in accordance with the drawings in Appendix C are to be installed. Variations from these standards will require written approval from the RCA's Traffic Signals Engineer.

All traffic poles, including mast arm poles, standard traffic signal and hinged traffic signal poles, JUMA, JUSP, ground planted, flange based, or flange based stub shall be designed in accordance with AS/NZS 1170.0 and AS/NZS 1170.1, and include a 10-year structural guarantee.

Additionally, the following specific design parameters are to be included:

- (a) Design working life – 50 years;
- (b) Importance level – 2;
- (c) Wind region – Use code for region where traffic signals are to be installed;
- (d) Terrain/height multiplier – 2;
- (e) Shielding multiplier – 1;
- (f) Hill shape multiplier – 1;
- (g) Lee zone multiplier – 1 (to a maximum of 1.35).

All JUSP, JUMA, and mast arm poles with curved outreach arms shall have a 10-degree upward tilt on the outreach arm. In addition, poles and arms shall comply with all dimensions shown in Appendix C. The minimum spigot diameter on JUSP and JUMA poles shall be 42 mm outside diameter (OD). In the case of the JUMA and JUSP poles, the street lighting luminaire fitted to the outreach arm shall not exceed 0.15 m² in sail area and have a mass of no more than 15.0 kg. The tilt angle shall be detailed on the drawings.

All fixtures and fittings are detailed (traffic signals, pedestrian signals, street lights, signage, and any other fittings or fixtures required for the specific installation) along with the height at which their weight and windage is to be calculated as a minimum. Drag coefficients are to be in accordance with Table E4 of AS/NZS 4676.

The JUSP pole door cavity/fuse opening shall be of a suitable weatherproof design and shall be positioned to permit safe access for maintenance (not facing the street/traffic lane). The ideal position would be to allow the technician to view oncoming traffic. The cover plate shall be secured by a minimum of two child and vandal resistant 304 grade stainless steel fasteners and will require a specialised tool to remove the fasteners for maintenance.

In the case of octagonal JUSP poles, the door cavity/fuse opening shall be a standard size of 300 mm x 140 mm and be positioned 600 mm (to the base of the opening) above the finished ground level. In the case of the JUMA pole, the door cavity/fuse opening for the street light isolation shall be a standard size of 180 mm x 80 mm and be positioned just below the mounting flange for the street light outreach arm.

All steel tube used for manufacture of the 5.1 m traffic light poles shall be a minimum of 100 nb (nominal bore) CHS (Circular Hollow Section) to C250LO in accordance with AS/NZS 1163.

Pole strengths are based on NZS 3404. Steel section strength requirements apply to the base of the pole at the top of the concrete footing.

All welding shall be carried out in accordance with AS/NZS 1554.1, with welders qualified to AS/NZS 2980. Inspection certificates by a duly qualified independent inspection company are to be supplied for each batch manufactured.

Suitable mounting points for a fall restraint system shall be provided for all new poles.

2.5.1.1 Pole identification

Poles shall be permanently marked (prior to painting) by way of indentation stamp to indicate date of manufacture (dd/mm/yyyy) and the name of the manufacturer. This indentation stamp shall be located immediately under the lower pedestrian mounting lug. Arms are to be identified in the same manner with the location being on the outer surface, immediately above where the arm connects to the pole. The indentation stamp letter and number size is to be of a size suitable to be easily identified. Lettering shall have a minimum height of 7 mm and a maximum height of 14 mm. All marking is to be applied prior to painting.

2.5.1.2 Pole Finish

All JUMA, JUSP, and mast arm poles and arms shall be finished, both internally and externally, in accordance with AS/NZS 4680. Ready galvanised steel, spray on galvanising or thermal zinc will not be accepted. In addition, pole coatings shall be in accordance with AS/NZS 2312.1 with certification to Category C3 for a 10-year warranty to first maintenance.

2.5.1.3 Pole Installation

Each pole type will require a PS1 certificate to be issued by a suitably qualified Chartered Professional Engineer. This certificate shall include the specific design details for both the pole and, when requested, the foundation details, and will be supplied at time of tender.

Mounting of the poles are of three possible types – ground planted, concrete pad or retention socket.

All new sites must use an approved retention socket & foundation system for all poles, unless pole-specific conditions require different installation considerations (eg mastarms). If a retention socket is not to be used, specific permission must be obtained by the RCA Traffic Signal Engineer.

Ground planted poles are an extension of the pole below the finished ground surface. The length below ground will vary depending on the model of pole being installed and ground conditions in the location. The minimum soil bearing capacity shall be 100 kPa with minimum ultimate shear capacity of 40 kPa. A site specific foundation design will be required for any capacities less than 100 kPa and 40 kPa.

Concrete pad mounted poles will typically be of a flange-based type. These poles will require a concrete pad or pile to be constructed that will include during pouring the use of a suitable holding down bolt cage. Pads and piles are typically used in locations where the ground conditions are not stable enough to maintain overturning resistance.

Retention sockets are installed in the ground utilising various foundation designs to suit the available depth and ground conditions. The pole can be cabled at ground level and is then slotted into the ground socket reducing the H&S risk of working at height. In the event of a knockdown the pole can be replaced. Typical foundation details can be sourced from the retention socket suppliers, however each design should be checked for suitability depending on ground conditions.

The installer must produce a PS3 as part of the final as-built documentation to declare the poles have been installed according to the manufacturers requirements and design.

2.5.2 Pole terminal assemblies

2.5.2.1 Switch terminations (terminal assemblies)

The terminal assembly shall consist of sufficient 2.5 mm 2-in-2-out knife edge disconnect terminals for the number of cores to be terminated. The terminals shall be spring loaded screw locked incorporating a screw and spring-tensioned system or have a minimum of one screw per cable core. The neutral and earth terminals shall be double through terminals to facilitate a greater number of terminations. The terminals shall be mounted on aluminium rails and end clamps shall be provided at each end of the rail. Each terminal shall be clearly labelled.

2.5.2.2 Neutral terminations

The terminals shall meet the requirements of 2.5.2.1, except that they shall not use switch terminations.

2.5.2.3 Earth terminations

The earth bus bar shall provide ten outputs with connectable cross-sections measuring 10 mm² and 16 mm² configured alternately. The bar shall be rail mounted and have a rated voltage of 450 V and be rated IP20. The insulating material shall meet IEC 60998 Part 1 and Part 2-1.

2.5.2.4 Five metre pole termination (terminal assembly unit)

The top of each standard 5 m pole shall be fitted with a terminal assembly unit and cover meeting the requirements as shown in Appendix B.

The pole top and full Upper Mounting Bracket (UMB) shall be a combined unit, complete with cable terminal and lantern lead supports, and a finial cap capable of being fastened into position so that it cannot be removed if the securing bolts are loose.

The finial cap shall be made of plastic and constructed to fit snugly over the pole top to minimise the ingress of dirt and grime. The finial cap shall be secured to the UMB by a wire lanyard to prevent it from blowing away if not fastened correctly. Do not use metal finial caps.

All nuts, washers, bolts, and fasteners shall be galvanised, and the pole top/mounting bracket shall be constructed in a non-corrosive material.

2.5.2.5 Mast arm pole termination

All mast arm poles shall have a terminal assembly box (Montrose box) mounted no lower than 3.5 m from the adjacent ground level.

The box shall be constructed from aluminium, stainless steel or polycarbonate with minimum dimensions of 400 mm x 350 mm x 120 mm rated to IP65. The box must be suitable for its location and have a design life of a minimum of 10 years. It shall be bolted to the pole and shall include a rubber seal or gland between the box and the pole metalwork to create a waterproof seal. Cables from the pole must have a drip loop in the pole before entering the Montrose box. This is to ensure any moisture running down the cable does not enter the terminal assembly box.

The lantern leads shall enter through the underside of the box. No holes will be permitted in the box that will allow condensation or moisture to enter.

All cables shall be terminated in accordance with the details shown on the cable termination chart (see Appendix F for example).

If possible, ELV streetlights should be installed, but where the pole includes a 230v streetlight, the step-up transformer will be located in the terminal assembly box. In this case a danger high voltage label must be fitted to the outside of the terminal assembly box as per the WK / NZTA specification. For more details see 2.3.7 (link provided in Appendix P).

2.5.2.6 Pole Warning Label

All new traffic signal poles shall be fitted with a permanent warning label "Danger Live Wires". The label is to be fitted at the base of each new pole following installation. For existing poles, a suitably worded label is to be attached following any work being undertaken on the pole or mounted equipment.

2.6 Pedestrian and cycle detection

2.6.1 Pedestrian push button assemblies

Pedestrian push-button assemblies shall contain audio and tactile facilities and shall comply with AS 2353.

In addition, the following requirements shall be met:

- (a) The call box shall provide an audible locating and 'WALK' signal;
- (b) The audible locator shall incorporate ambient noise control;
- (c) The tactile function shall be continually operational; however, the audio signal should be able to be muted **by time of day**.

2.6.2 In ground or above ground pedestrian detection

All in ground (IGD), above ground (AGD), and related equipment shall be approved by the RCA Traffic Signal Engineer before installation.

2.6.2.1 In ground pedestrian detection

In-ground pedestrian detection systems are currently not accepted as the means for pedestrian detection at new installations.

2.6.2.2 Above ground pedestrian detection

All AGD units shall be located such that they are able to cover the required area of detection and shall be compatible with the traffic signal controller detection and operation.

2.6.3 Cycle push-button assemblies

Cycle push-button assemblies shall be the same as the pedestrian push-button assemblies except that:

- (a) They shall be coloured blue;
- (b) The audio and tactile facilities are not required;
- (c) The embossed arrow disc shall be replaced with a cycle indication disc;
- (d) They shall incorporate a visual call accept signal.

If the cycle phase call is automatic, the push button can be replaced by a blank disc if desired. Where a push button is fitted, it *must* be connected, and call the cycle phase.

An image of a cycle push-button with call accept can be found in Appendix M.

2.7 Inductive loop detectors (vehicle and cycle)

Inductive loop detectors may be either preformed or saw cut on site.

Where preformed loops are to be installed they shall have site specific approval of the RCA Traffic Signal Engineer. Each preformed loop shall be constructed to meet the dimensions and lane offsets as in the diagram in Appendix A.

Where non-inductive detection technology is to be used (such as camera technology) it shall have site-specific approval of the RCA Traffic Signal Engineer.

2.7.1 Cycle Detection

2.7.1.1 Induction loops

The current compliant controller hardware is not designed to detect with accuracy cycles. The modern materials of today's bicycles do not create a sufficient inductance change in the loop flux to change the loops oscillating frequency.

At critical sites above ground detection has been shown to be more effective.

2.7.1.2 External cycle detection

The best option today for critical cycle detection is to install an external device dedicated and configured to detect just bicycles, and the input signal configured into the personality software and presented to the controller as an EXTERNAL INPUT. There are various such devices and the contractor should work with the RCA Traffic Signal Engineer in selecting the most suitable device for the location

2.8 Uninterruptible Power Supply (UPS) for Traffic Signals

2.8.1 General

2.8.1.1 Purpose

An Uninterruptible Power Supply (UPS) system for traffic signals provides emergency auxiliary power to traffic signals during a power outage, providing both a safe and efficient journey for road users in these events. In addition, UPS systems have also proved to extend the life of the traffic controller by reducing the adverse effects of brownouts and maintaining a consistent flow of current to the traffic controller.

2.8.1.2 Factors for UPS Prioritisation

Appendix O serves as a guideline when prioritising the installation of UPS systems at signalized intersections. The factors and weightings included in the appendix are by no means definitive, but rather to be used as a reference to assist individual RCA's in making an assessment when prioritising the installation of UPS systems at signalised intersections.

2.8.1.3 UPS Standard Baseline

When selecting a suitable UPS, there are many technical factors to consider. For this reason, UPS selection must comply with AS5715:2015 "Uninterruptible power systems (UPS) for roadside devices".

Where a contractor proposes to install a new UPS type not previously installed in the area of the RCA the Contractor is to seek approval from the RCA Traffic Signals Engineer and follow the approval procedure below:

- a) Written approval shall be obtained from the RCA Traffic Signal Engineer;
- b) The supplier (or their agent) shall offer to make a presentation on the equipment to the RCA Traffic Signal Engineer,
- c) The supplier (or their agent) shall provide a training course to the RCA's existing maintenance contractor, at no charge to the engineer or the maintenance contractor;
- d) If the new equipment requires special configuration tools, the supplier (or their agent) shall provide all equipment required to allow full operation. This may include computer hardware & software, as required by the RCA Traffic Signals Engineer to integrate with the operations of the current maintenance contractor;
- e) The RCA Traffic Signal Engineer has the final right to deny installation of any equipment type in their area.

2.8.2 *New Zealand Specific Requirements to AS 5715:2015 Appendix D*

The following are specific requirements of the UPS system, and are as listed in AS5715:2015 Appendix D.

Each requirement is to be as specified here or where relevant specified by the RCA Traffic Signals Engineer.

In general, the UPS system:

UPS topology – shall utilise a line-interactive topology

Load capacity – as specified by the RCA Traffic Signals Engineer

Load support time – should have a minimum load support time of 5 hours

The rating of the plug for the generator connection, as either 10 A or 15 A – the fuse shall be specified by the RCA Traffic Signals Engineer

Battery type – shall be proposed by the contractor and require approval by the RCA Traffic Signals Engineer

Battery shelving option – shall be subject to approval by the RCA Traffic Signals Engineer

Housing material – shall comply with the housing requirements for traffic signal controllers detailed in this specification

Housing colour – shall comply with the housing requirements for traffic signal controllers detailed in this specification

Dimensions for non-standard housing – shall comply with the housing requirements for traffic signal controllers detailed in this specification

Type of door lock required for UPS housing – shall comply with the lock requirements for traffic signal controllers detailed in this specification

2.8.3 *Additional Clauses to AS 5715:2015 for New Zealand*

2.8.3.1 *Suitability of UPS systems with non-LED traffic signal lanterns*

UPS Systems are only intended for use with LED traffic signal lanterns due to the low energy consumption of LEDs. Other forms of traffic signals are not considered compatible for UPS systems without upgrading to LEDs prior to the installation of a UPS system.

2.8.3.2 *Suitability of UPS systems with auxiliary equipment*

Where additional auxiliary equipment such as CCTV, comms routers or signs are to be connected to the UPS it is necessary to ensure that the UPS can manage the additional loads necessary.

2.8.3.3 *UPS Software requirements*

The UPS system shall be connected to the traffic signals controller, with the UPS software allowing the RCA Traffic Signals Engineer to use SCATS (Sydney Co-ordinated Adaptive Traffic System) flags to indicate different UPS states. The UPS software shall include direct remote monitoring, such that the TOC and RCA shall be able to remotely log into the UPS device for fault checking and monitoring via means determined by the RCA engineer. The minimum required outputs are listed in Appendix Q, which is an extract from AS 5715:2015 CI4.6.

2.8.3.4 *Relocation of the Generator Connection*

The UPS system shall comply with AS 5715:2015 CI5.3.16 Stand-by generator connection. Where a UPS system is installed, the traffic signals controller generator connection is to be modified, such that the portable power generation is to be connected to the UPS controller rather than the traffic signal controller.

2.8.3.5 *Cabinet*

All components of the UPS system shall be fully contained in a single UPS system cabinet. All components of the UPS cabinet (e.g. doors, hinges, locks etc.) shall comply with relevant New Zealand standards and clauses in this specification for traffic signal controller cabinets.

Where a UPS system is to be installed at a new signalised intersection, all components may be contained in the Signal Controller cabinet, subject to the approval of the RCA Traffic Signal Engineer.

2.8.3.6 *Electrical Components*

All electrical components including cabling equipment of the UPS system shall comply with relevant New Zealand standards and clauses in this specification.

2.8.3.7 *Additional Signage Requirements*

Additional signage and warning signs are to be placed in the traffic signals controller cabinet, the UPS system cabinet, and the mains power line. These signs shall alert all personnel that during maintenance, power from the UPS system may still be live, even though power from the mains has been turned off.

2.8.3.8 *Testing, Commissioning and Maintenance*

The UPS system shall comply with Clause 2.9 and relevant Subclauses of 3.15 of this specification with respect to testing, commissioning and acceptance of the UPS system.

As a minimum, an annual test shall be undertaken to ascertain the condition of the batteries, to check that the stored energy is within the anticipated energy range to operate the intersection for the desirable minimum duration as defined by the RCA Traffic Signals Engineer in section 2.8.2.

2.9 Testing of equipment

All signal equipment supplied or installed, including the signal controller, UPS, load switching equipment, cable terminals, plugs, and so on, is to be fully tested under simulated working conditions before being installed on site.

For acceptance and testing during installation, see Section 3.15.

3 INSTALLATION AND COMMISSIONING OF TRAFFIC SIGNAL EQUIPMENT

3.1 General

Section 3 sets out the requirements for the installation and commissioning of signal equipment including the controller, cabinet, vehicle and pedestrian signals, call boxes, detection equipment, and detector loops. It also addresses the painting of equipment.

The contractor warrants that:

- The equipment has been/will be installed in accordance with the manufacturer's instructions, all applicable laws and standards, and the reasonable instructions of the RCA,
- The equipment will not malfunction for a minimum period of as defined in Section 2.2.2, from the date of commissioning.

3.2 Temporary traffic management

The contractor shall be responsible for the supply and erection of all necessary barricades, warning notices, lights, and so on, as required under 5.7.2 of NZS 3910 and the *NZTA Code of Practice for Temporary Traffic Management NZGTTM*, or any other specific documents that may be provided by the RCA or client.

The contractor shall obtain from the RCA whatever approvals are required to be able to work on the roadway under the RCA's control.

3.3 Supply of communications & electric power

The RCA will have an approved communications provider, or an engineered communications solution.

The contractor must be fully aware of the communications requirements for every job, and shall seek clarification from the RCA on these details well in advance of starting site works.

The contractor shall be responsible for arranging, with the RCA's power supply company, the provision of a power meter (if required) and the switching on of power to the signal control cabinet. The contractor shall pay all costs (including fees) associated with this work, obtain all necessary permits, and shall provide the certificate of compliance to the engineer on completion of the works.

*Please note these costs can be variable, and need to be addressed by the primary contractor.

3.4 Waterproofing

All equipment below ground level shall be constructed and treated to permit continuous operation without fault due to immersion in ground water or other corrosive agents commonly encountered on or beneath roads.

3.5 Electrical wiring

All electrical work shall be completed in accordance with AS/NZS 3000.

3.5.1 Pole top cable terminations

All cables shall be brought up the interior of the signal pole or mast arm, and terminated on the specified terminal assemblies. All cables shall be firmly supported at the point of termination in such a manner that the weight of the cable shall not impose mechanical strain on the electrical connections.

The cores of each cable are consecutively numbered on the core insulation and each core shall be terminated into the terminal labelled with the same number.

Where a 36 core cable is not used (generally in existing installations), and there is more than one cable coming into a pole, then the largest cored cable or cable labelled 'A' (see Section 4.8) shall start at terminal 1 with the smaller cables following on. For example, with a 25 plus a 12 core cable, core 1 of the 25 core will be terminated into terminal 1 with

core 1 of the 12 core terminating into terminal 26. It is not necessary to label each core when using a single multi core cable and when each core terminates in its corresponding terminal. However, when two or more cables are terminated all cores shall be labelled.

The cable sheath shall be removed for an adequate length with due precautions being taken not to damage the insulation of the individual cores. The cable cores shall be neatly formed and laced to allow individual conductors to be connected to the appropriate numbered terminal in accordance with the approved cable termination chart (see Appendix F for example). The cores of different cables shall not be laced together.

The bunching and tying of cores shall be arranged such that all terminal labelling remains visible, and individual cores may be conveniently disconnected from any terminal for subsequent maintenance. All cable cores, including spares, shall be allocated terminals, and shall be terminated within the pole top.

3.5.2 *Earthing (bonding)*

All metal components shall be individually earthed in accordance with AS/NZS 3000, using a minimum size earthing cable of 4.0 mm². Particular attention should be given to poles (including mast arms), callboxes, finial caps, metal bodied signals, unused cable cores, controller and cabinet, mast arm termination box, and audio tactile driver box.

All unused cable cores shall be bonded to earth in the controller cabinet.

3.5.3 *Cable termination chart*

For all new installations, a cable termination chart (see Appendix F for example) shall be completed prior to termination of cables onsite and supplied to the RCA Traffic Signal Engineer.

At existing sites, the contractor shall amend the existing cable termination chart supplied by the RCA. If no cable termination chart exists, the contractor shall be required to produce one from existing cable documentation as appropriate.

All cabling, both at the controller cabinet and at the pole, shall comply with the details of the cable termination chart.

3.6 **Controller cabinet**

The controller cabinet shall be securely fixed to a concrete foundation or preformed base with, at minimum, four hot dipped galvanised bolts (minimum size M12) such that the cabinet is aligned true to the vertical and cannot be rocked from side to side. Where a standard preformed base is not to be used, the foundation details shall be supplied to the RCA Traffic Signal Engineer for approval.

Where the cabinet is not surrounded by concrete or asphalt, a 300 mm wide concrete apron shall be provided around the base of the controller. The apron shall be 100 mm thick and be widened to 900 mm on the side adjacent to the door. The apron shall be installed to provide drainage away from the controller to the adjacent ground and to maintain a comfortable working platform.

3.7 **Controller terminations**

All cables entering the controller cabinet shall be securely supported at their outer sheath to ensure that no mechanical strain is transmitted to the electrical connections. The individual cores shall be neatly formed, and positioned such that access to housing terminals is not obstructed and terminal designations are not obscured. Each cable shall be individually labelled in accordance with its designation as shown on the approved cable termination chart.

All field wiring terminals in the controller cabinet shall be vertically mounted with sufficient terminals to cater for the maximum number of signal group outputs within the logic rack. Each signal group (both pedestrian and vehicle groups) shall be provided with three

terminal groups. Each group shall consist of two 2-in/2-out spring loaded screw locked terminals designed for 2.5 mm² cable.

Terminal separation plates shall be used between each signal group and end clamps shall be used at each end of the rail.

An additional non-switched terminal unit shall be used and located on the left-hand side of the gear plate. This unit shall include three terminal blocks for both earth and neutral, plus one separate terminal block for general purpose (GP) phase (wired through the GP circuit breaker), detector returns, pedestrian buttons, special inputs and outputs, and so on.

The terminals shall be grouped together with the earth and neutral at the bottom, then any 230 V supplies and then the low voltage supplies at the top. A terminal separation plate shall be used between the earth and neutral terminals and between the 230 V and low voltage terminals.

Each terminal shall be clearly labelled with its function using labels supplied by the terminal manufacturer. There shall be a schematic wiring diagram provided within the controller (generally on the inside of the controller door) it shall provide a true representation of the physical on site wiring configuration.

3.8 External vehicle loop detector units

For all new signal installations, the detector units shall be located in the controller cabinet.

In special cases, or where an existing installation is involved, detector equipment may have to be accommodated in the weatherproof boxes attached to the signal pole nearest to the loop. Attachment of detector units to poles on medians or small islands shall be avoided as far as practicable. Pole-mounted detector units shall be mounted in an unobtrusive manner so that convenient access can be obtained to them from a ladder placed on the footpath.

The power supply for all detectors that are mounted external to the controller shall be taken from a 230/240VAC source that is not interrupted by the master relay when the controller is entering in lamp active off mode, for whatever is the reason (commissioning, fault, etc) in order to keep the detection active for SCATS coordination.

The connection of the loop feeder cable to the detector rack shall be carried out through terminals to allow easy isolation of the loop/loop feeder side of the circuit for testing purposes. The terminals shall be suitable for low voltage and therefore standard disconnect terminals are not appropriate. The terminals should preferably be mounted vertically down the left-hand side of the gear plate. The terminal rail shall be long enough to mount sufficient terminals for 24 detectors.

The terminals shall be labelled with the on-street detector number.

The loop feeder shall be securely clamped with clamping bars to the gear plate so that no strain is placed on the core conductor.

3.9 Pole locations and installation

All poles shall be sited in accordance with the approved design drawing with the appropriate clearances.

Prior to installation, the pole locations shall be marked on site and their locations approved by the RCA Traffic Signal Engineer. Where services are suspected potholes should be dug to confirm the locations are viable prior to requesting RCA approving. When requesting approval for poles mounted with pedestrian call boxes, both sides of the crossing should be approved together. Potholes can be temporarily reinstated if necessary.

Poles are to be positioned to ensure that no part of the signal lantern or backing board is closer than 300 mm to the face of the kerb or possible vehicle body track considering the road camber.

Where a pole is fitted with a cycle call button or call-accept, the pole must be located at least 900mm back from the kerb to ensure the cycle wheels stay off the roadway.

Where not surrounded by concrete or asphalt, the pole shall have a 500 mm², 150 mm deep, 20 Mpa concrete surround. The concrete surround shall be sufficient in width to ensure that the ducting finishes within the area of the concrete, in order to protect all cabling. (See Appendix D.)

3.10 Signal lanterns

3.10.1 Lantern mounting supports, brackets and straps

All lantern mounting brackets, bolts, nuts, and mounting hardware shall comply with Section 6 of AS2339:2017.

All lower lantern nut and bolt assemblies shall be installed complete with a locking mechanism as detailed in 6.2.3 of AS2339:2017.

One such acceptable method is to comply with the locking mechanism as detailed in Appendix N.

Where more than a single column of lanterns are installed on one strap back to the pole, each end of the strap must have a locking mechanism fitted.

Each vehicle/pedestrian lantern group shall be mounted individually.

All signals attached to pole top assemblies shall have their leads securely fixed to the assembly using clamping bolts, nuts, and washers or studs not less than 10 mm in diameter.

Each signal lantern shall be attached to its mounting brackets by galvanised steel mounting straps of sufficient length to permit the lantern to be adjusted laterally to provide an adequate signal indication and vertically to conform to the approach gradient. Straps shall comply with Table 1.

Table 1 – Lantern mounting strap dimensions

Strap length (mm)	Strap thickness (mm min)
Up to 150	3
151 to 250	5
251 to 400	6

Straps shall be in a continuous length without joints, and one strap shall not be hung off another strap.

3.10.2 Lantern leads

The lantern leads shall:

- (a) Be covered with a continuous 15 mm flexible hose from their exit point from the lantern to the clamping point on the UMB;
- (b) The pole-connecting end of the hose shall be prepared so as to enable it to be firmly clamped in a recess in the pole top assembly without undue distortion or crushing of the hose;
- (c) When hanging freely, the lantern lead shall extend down to approximately the halfway point of the lantern.

3.10.3 *Siting of signal lanterns*

3.10.3.1 *Siting and alignment*

Each lantern shall be sited and aligned in accordance with Austroads publication *Guide to Traffic Engineering Management Part 10 – Traffic Control and Communication Devices*.

3.10.3.2 *Lantern mounting height*

Except where the tertiary or secondary lanterns are mounted within 10 m of the vehicle limit line, all vehicle lanterns shall have a mounting height of 4.1 m, measured to the top mounting bracket of lantern.

Where low level tertiary or secondary signal lanterns are located within 10 m from the vehicle limit line, the mounting height shall be 3.1 m, measured to the top of the mounting bracket of the lantern.

The minimum clearance from ground level to the bottom of a target board for signals restricted by an overhead obstruction is to be 2 m.

The minimum clearance from the road surface to the bottom of the target board for overhead lanterns is to be 5.3 m. The maximum clearance is to be 5.8 m.

Where the position of the signal poles as installed does not allow the recommended positioning or appropriate visibility to be achieved, the contractor shall notify the RCA Traffic Signal Engineer before installing the lantern.

3.10.4 *Covering of lanterns*

Immediately following installation and during periods when the lanterns are not in use they shall be securely covered to completely obscure them while being installed or when not in use.

The lanterns shall be covered using a shroud as detailed in Appendix E.

Where commissioning will take place within one day of lantern installation, the engineer may allow a dispensation from this requirement but otherwise shrouding shall be necessary for the full period from installation until commissioning.

3.11 **Inductive loops**

Inductive loops shall be positioned to record the specified output from vehicles passing or occupying the positions indicated on the appropriate plans and to the dimensions and locations shown in Appendix A.

The contractor shall mark the required position of the inductive loop on the ground and inspect the road surface to ensure that the site conditions, including seal conditions and roadway integrity, will in no way reduce the operational performance of the detection equipment. If the contractor considers that the conditions are not satisfactory, they shall notify the RCA Traffic Signal Engineer before installing the detector loops. The contractor shall notify the engineer prior to closing the traffic lanes for the purpose of installing the loops so that the engineer may attend the site to carry out the installation inspections that they consider appropriate.

The inductive loop wire shall consist of single core polypropylene insulated cable with a nominal cross-sectional area of 1.5 mm² complying with AS/NZS 2276.3.

The cable shall be laid in one continuous unjointed length, laying it twice around each loop as shown in Appendix A. Tails for up to two loops, (four wires) may be laid in the same slot if required. Note as required in Appendix A and to permit future use under SCATS or to allow the loops to be split in the event of damage, the front pair and back pair of loops should be wired with a connecting wire passing through the toby box. This connecting wire shall remain continuous and shall be approximately 0.8m in length.

In general, the detector loop wire shall be installed in a saw cut slot that is approximately 5 mm wide and 40 mm deep to provide a minimum top cover to the wire of 12 mm. All saw cuts shall be straight and shall extend past the loop corners to ensure the full depth of cut throughout. Prior to placing the loop wire, the slot shall be dried and cleaned and free of debris to provide a smooth bed for the wire. The recommended method of doing this is with compressed air.

If unable to reuse the existing saw cut when re-cutting loops, the new saw cut shall be at least 300 mm away from the old saw cut to minimise road surface damage. If the saw cut for the loop tails is to go through the kerb, then it should go through an existing mortar joint to minimise unsightly appearances.

The loop wire shall be 'rolled' into the slot without damaging the insulation. This can be achieved using a thin disc such as a modified saw blade but not a screwdriver. Special care shall be taken at the corners to ensure the wire is curved rather than bent. Each loop shall be wired as shown in Appendix A.

Immediately following the installation of the loop wire, and prior to sealing, an insulation resistance test shall be performed. The loop should have a resistance to earth of not less than 10 mega-ohms. Sealing shall be done immediately following the completion of the loop insulation test.

The loop wire slot shall be sealed with an approved flexible epoxy sealant, ensuring a continuous seal over the complete length of the loop and loop tails. The sealant shall be finished flush to the road surface and suitably sanded.

Where the loop tail is cut through the kerb and channel the tails shall be inserted in a saw cut slot that is approximately 5 mm wide made with a minimum 450 mm diameter blade. The saw cut kerb and channel shall be sealed with a sand cement mortar.

Due to noise and traffic flow conditions, the RCA or client may restrict the time at which detector loops may be installed.

3.11.1 *Loop testing*

All loops shall be tested by measuring the insulation to ground (earth) and the results recorded on the commissioning sheet. A 500 V test shall be taken from the isolated conductors down to earth and a result of not less than 10 megaohms will be acceptable.

The loops should have a minimum Q value of 15 when measured in the KJB.

3.11.2 *Saw cutting*

The contractor shall ensure that no solid matter enters any waterway as a result of the saw cutting operation. This could require the placement of filters, or similar, on catchpits, and so on.

On completion of the installation the contractor shall ensure that the surrounding area is swept clean of all sand and debris. This material shall be suitably disposed of.

Preformed loops shall be installed according to the manufacturer's details and retain the correct shape and dimensions as shown on Appendix A when installed.

3.11.3 *Loop feeder connections*

Where multi-pair feeder cable is used, the convention for terminating the loops shall be:

- (a) Pair 1 connected to the kerbside detector loop;
- (b) All remaining connections numbered consecutively from the kerb.

All unused pairs shall be sealed in a similar method to the loop connections.

The contractor shall make a clean, dry, waterproof electrical connection between the loop tails and the loop feeder wires. The connection shall be located within a kerb side junction

box or nearby prescribed junction point. The feeder cable sheathing shall be sealed to ensure that no water may enter into the cable.

3.11.4 *Cycle induction loops*

The controller hardware specification was not designed for accurate detection of modern bicycles or personal mobility devices. Care must be demonstrated when installing cycle induction loops as there are a lot of factors that affect the loops oscillation performance, like: shape, dimension, cable type, cable size, cable length as well as the properties of the feeder cable, however key to all these is to ensure that each loop contains a sufficient wire length to create a detectable flux change for the detector card to read. 24m of cable within the loop is deemed the minimum, this can require six or more turns of cable within a loop.

Once installed the sensitivity adjustment is the only adjustment to allow a user to fine tune cycle detection. The maintenance engineer should utilise an aluminium wheel in order to test cycle loops, The maintenance engineer should ensure that the sensitivity is not set so high as to be triggered by vehicles in adjacent lanes.

3.12 Pedestrian and cycle push button assembly

The push button assembly shall be mounted so that the underside of the assembly is 900 mm above the pavement.

Unless specifically detailed, the pedestrian assembly shall be located in accordance with Section 5 of RTS 14, that is, so that the front of the assembly is perpendicular to the pedestrian crossing lines and so the arrow disc will always be orientated with the arrow pointing straight up.

On non-staggered medians, the assembly shall be oriented parallel to pedestrian lines with a double headed arrow disc that has the arrow pointing parallel to the ground.

The cycle assembly should be located so that the front of the assembly is perpendicular to the pedestrian crossing lines, where this is not possible refer to the local RCA Engineer.

Wiring for the call-accept is required for cycle call boxes.

3.12.1 *Covering of pushbuttons*

Immediately following installation and during periods when the pushbuttons are not in use they shall be securely covered to completely obscure them.

3.12.2 *Pedestrian Facilities - Instructions for Use*

Most RCAs require the installation of a pedestrian instruction plate above the pushbutton. These plates must be requested from the RCA Traffic Signal Engineer at least 8 weeks before commissioning, and must be installed prior to commissioning. Consideration must be taken to ensure the cable inside the pole is not damaged during installation.

3.13 Painting and surface coating of equipment

All surface coatings shall carry a 10-year guarantee from their date of installation except where the degradation is caused by vandalism.

The contractor shall supply the RCA Traffic Signal Engineer with the paint manufacturers' documentation specifying the maintenance requirements for surface-coated equipment.

All painting of signal poles and equipment shall be as in Table 2.

Table 2 – Painting and surface coating of equipment

(A) GENERAL REQUIREMENTS	
<ul style="list-style-type: none"> All new poles shall be pre-coated prior to delivery on site All coatings shall be applied in strict accordance with the manufacturer’s recommendations No painting shall be carried out in wet, foggy, frosty, windy, or dusty weather The colour yellow described in this specification shall be colour number Y14 Golden Yellow as described in AS2700 (Altex Standard Factory Colour Golden Yellow is acceptable). 	
(B) PAINTING SCHEDULE	
Standard poles	<p><i>Where the speed limit is below 70km/hr -</i> Any colour as permitted by TCD rules, And <i>Where the speed limit is 70km/hr or above -</i> Gloss yellow to the pole top, or as specified in the local RCA’s regional amendments to NZS 5431.</p>
Overhead and joint use poles	<p><i>Where the speed limit is below 70km/hr -</i> Any colour as permitted by TCD rules, And <i>Where the speed limit is 70km/hr or above -</i> Unless specified in the local RCA’s regional amendments to NZS 5431, all overhead or joint use poles shall be painted gloss yellow to the level of the top mounting bracket supporting the low level vehicle lantern. The remainder of the pole is to be left unpainted.</p>
Lanterns:	
Signal face	Gloss black
Signal housing	Gloss black
Target boards	Flat black
Signal visors	Flat black (internally) Gloss black (externally)
Illuminated signs:	
Sign face	Gloss black
Sign housing	Gloss black
Sign visors	Flat black (internally) Gloss black (externally)
Pedestrian call boxes	Gloss black
Cycle call boxes	Gloss blue - Dulux “True Blue” shade 2821 or equivalent
Other items (such as pole caps, detector boxes)	Golden Yellow or as specified by the local RCA’s regional amendments

3.14 Special tools and keys

The contractor shall supply to the RCA Traffic Signal Engineer one set of any special tools necessary to efficiently adjust and operate the equipment. This equipment will not be required if previously supplied to the RCA. The controller key type will be an FS880 or as specified in the local RCA’s regional amendments.

3.15 Acceptance and testing

On completion of the work, the equipment is to be left clean, free from dirt, dust, and paint blemishes. All services, equipment, and fittings shall be in proper working order and in good condition in accordance with this specification.

3.15.1 *Pre-commissioning tests*

When the contractor has satisfied all of the requirements of the power supply authority, and considers that any particular part of the contract is ready for commissioning, the pre-commissioning checks as set out in the site acceptance sheet in Appendix G shall be performed in the presence of the RCA Traffic Signal Engineer or their representative.

The contractor shall provide an electrical certificate of compliance to the engineer prior to the pre-commissioning check.

3.15.2 *Earthing and earth impedance test*

The contractor is to undertake an earth impedance test to AS/NZS 3000 and submit results in a report as part of their pre-commissioning checks. The tests shall include the following:

- (a) Earth resistance test-continuity of main earth conductor;
- (b) Insulation resistance test for insulation;
- (c) Earth resistance test for other earthed and equipotential bonded parts;
- (d) Consumer's main test - polarity and connections;
- (e) Final sub-circuit test - polarity and connections;
- (f) Earth fault loop impedance test; and
- (g) Verification of residual current devices (if fitted).

3.15.3 *Software (personality) Testing*

The Software is to undergo a series of tests and to be signed off at each stage by a competent software engineer

The CIS is to be independently reviewed and signed off prior to the software being written.

Once the software is written it is to be independently tested with a traffic signal software emulation program e.g. Win Traff and signed off to ensure compliance with the CIS.

The sft files are then able to be supplied to the contractor to create the PROM for bench testing.

Where the software is generic, such as a pedestrian crossing, and with the RCA Traffic Signal Engineer's acceptance, the process can be undertaken without independent review.

3.15.4 *Controller bench test*

The contractor shall be required to confirm for themselves that the controller software (personality) has been programmed to operate in a safe manner and to the requirements of the design drawings and controller information sheet (CIS). If the contractor is of the opinion that the software is not operating correctly or safely, or there are discrepancies between the design drawings and the CIS, then they shall immediately inform the engineer.

The traffic signal contractor shall complete a FULL bench testing of the controller software (personality) at least 1 week prior to the proposed commissioning date of the signal installation or intersection upgrade.

All bench testing shall be based on the operation as specified in the latest revision of the CIS, signal design drawing, and controller software (SFT) file.

The bench testing shall be undertaken using a similar controller operating under the same version of the background (TRAFF) software as will be installed in the controller on site.

The bench testing shall include but not be limited to:

- (a) Confirmation that all detectors call and extend the relevant phases;
- (b) Confirmation that the correct signal displays/output groups are activated in the relevant phases;
- (c) Confirmation that each signal group output has been configured as either a Major, Minor, or Pedestrian output in accordance with the CIS;
- (d) Confirmation that all conflicting signal group outputs (both pedestrian and vehicle) cause the controller to go into fault mode by physically inducing conflicting outputs. The contractor shall be required to confirm that the conflict matrix detailed in the CIS is correct

and that the conflict matrix programmed into the controller personality is the same as that shown in the CIS;

- (e) Confirmation that all time settings are consistent between the software and the CIS;
- (f) Confirmation that the controller will operate under Flexilink mode of control;
- (g) Confirmation that any special logic requirements work as specified; and
- (h) Confirmation that any special facility flags (such as Z- , Z+, and any XSF bits) operate as specified.

The contractor installing the software shall submit completed and signed forms 5 working days prior to commissioning the site verifying that the traffic signal controller personality has been FULLY bench tested. A copy of the controller bench testing form is in Appendix H.

The contractor shall notify the RCA Traffic Signal Engineer at least 24 hours prior to the bench testing being undertaken so that the RCA Traffic Signal Engineer may be present when the testing is being completed.

3.15.5 Commissioning

When the RCA Traffic Signal Engineer or their representative is satisfied that the signals are installed and operating in accordance with this specification, they will direct and supervise the commissioning of the signals.

The contractor shall notify the RCA Traffic Signal Engineer 48 hours prior to commissioning the installation. Commissioning shall occur outside of the peak traffic periods at a time specified by the engineer. No commissioning shall take place on a Friday or the day before a public holiday.

Unless approved by the RCA Traffic Signal Engineer, commissioning will not be allowed until the controller has been installed on site and has had continuous SCATS communications for at least 48 hours.

An example of a commissioning check sheet for a new installation is in Appendix J.

3.16 As-built documentation to be provided

At the time of commissioning, a copy of items 3.16(a) and 3.16(b) shall be provided in the controller cabinet along with a log book and a copy of the CIS.

Within 2 weeks of commissioning, a laminated copy of (a), (b), and the CIS sheet shall be inserted into the document pocket inside the controller cabinet.

The contractor shall also supply in both electronic and hardcopy the following within 2 weeks of commissioning:

- (a) As-built plan showing the final locations of all cables (including power supply), ducting, poles, access chambers, KJB, loops, lantern displays, and cabinets if they are different from the construction drawing;
- (b) A completed cable termination chart (in spreadsheet format). A typical layout is shown in Appendix F;
- (c) A completed traffic signal asset collection form (see Appendix K) for RAMM;
- (d) Results of all earth loop impedance testing carried out on all traffic signal poles and cabinets shall be supplied to the RCA's engineer prior to commissioning (Appendix M) (update ref). The results shall be signed by the technician who carried out the testing;
- (e) A log book. The log book shall be completed every time anyone attends site, and shall detail the reason for attending site and a brief description of the work carried out. Each entry shall be dated and signed; and
- (f) A signed and completed copy of the electrical Certificate of Compliance and Record of Inspection (RoI).

3.17 Procedure for turning off signals

Where it is necessary to switch a controller either off, to flashing yellow, to take the site off-line, or to switch the signal displays off, notice shall be given to the appropriate RCA. The RCA shall be notified immediately prior to such action being taken and immediately after the controller and communications are fully operational again. The fact that the signals were turned off shall be recorded in the control cabinet log book.

When a signalised intersection is planned to be turned off, or switched to flashing yellow, for more than ten minutes, the contractor shall ensure that the RCA's engineer is informed so that arrangements for alternative control of the intersection can be made as necessary. Once the RCA Traffic Signal Engineer has been notified, the contractor can proceed with turning off the signals, unless specifically requested to wait for further assistance.

When a signalised intersection is planned to be turned off (not flashing yellow) for more than 10 minutes, the contractor shall adhere to an approved traffic management plan (TMP).

At no time during planned works shall an intersection be left unattended with the signals off unless an approved TMP is in place. Also, at no time shall any warning signs or shrouds that indicate that the signals are not in operation be in place on any street or road when the signals are working.

When there is an unplanned outage of a signalised intersection (such as the result of a controller fault or accident), the contractor shall immediately assess the problem and where necessary make the site electrically safe. If the signals can then be repaired and made operational (either fully or at least flashing yellow) within 1 hour, and can be done so safely and without the need to work in a live lane, then the contractor is to proceed immediately with the repairs using a previously approved TMP that relates to the particular type and location of the work. Refer to RCA's regional amendments to P43 if operational repairs will take longer than 1 hour, or where work needs to occur within a live lane.

It should always be the intention of the contractor to arrange the work so that the signals will be switched off or set to flashing yellow for the shortest possible time. This will mean that wherever possible, work on the signals is to be continuous until they are switched back to normal control. If a site is under approved temporary traffic management (as set out in an approved TMP), then it will normally be acceptable to turn the signals back on with a reduced number of signal displays. Assuming good visibility of lanterns, the minimum number of displays on any approach can be:

- (a) Primary or dual primary plus secondary; or
- (b) Primary or dual primary plus tertiary.

The intention to operate the signals with reduced displays shall be highlighted in the TMP, which should detail each approach where displays will be reduced. The RCA's regional amendments to P43 may set out additional requirements.

4 CABLING AND CIVIL WORKS

4.1 General

Section 4 sets out the requirements for the supply and installation of all cabling including multicore cable, loop feeder cable, ducting, trenching, and backfilling. It also addresses the installation of kerbside junction boxes, poles, and the controller base.

4.2 Cable diagram

Cable sizes and approximate duct positions can be found on the schematic cable diagram on the signal drawing but the contractor should confirm that the cabling and ducting shown is adequate for the signals equipment depicted on the same drawing.

4.3 Trenching

All trenching and restoration work shall be in accordance with the RCA's specification. A detailed TMP shall be approved before work commences.

Open cut trenching across carriageways shall be carried out only between the hours approved by the engineer.

4.4 Cabling, ducting, and signal duct access chambers

4.4.1 Ducting

Ducting shall be installed from the controller to all signal duct access chambers, between chambers, and from the chamber to the signal pole in the locations indicated on the drawings.

The duct lines shall link all chambers in a complete ring to facilitate multiple cable run options.

In open cut trenching, ducting for all multi-core cables shall use 100 mm diameter orange PVC electrical burial-grade conduit, and shall be continuous between access chambers and from access chamber to within 300 mm of the base of each pole. The ducts shall be placed no less than 600 mm and no more than 1000 mm below finished ground level. Where site specific conditions require the ducts to go shallower or deeper, special permission must be obtained from the RCA Traffic Signal Engineer, and the depth must be marked on the as-built ducting plans.

All thrusting ducting shall be continuous without any joints and shall comply with the Electricity (Safety) Regulations.

The minimum number of ducts from the controller and between access chambers is three x 100mm ducts for open cut trenching, or two x 100mm ducts for thrusting ducting. Consideration must be given to the actual number of cables required, and electrical segregation. More ducts may be required.

All ducting is to be installed complete with draw wires to facilitate pulling through of cables. The draw wire will remain in place on completion of cabling for future use and must always be replaced when used.

Where bends are required in the ducting to avoid obstacles, sweeping or 45 degree bends must be used with a minimum bend radius of 900mm for 50mm & 100mm ducts. To clarify, flexible piping must not be used unless it has a smooth inside wall without corrugations, is burial grade rated, is orange, and meets the 900mm bend radius requirements.

Ducting for loop feeder cables shall be a minimum 50 mm diameter orange PVC electrical burial-grade conduit laid to a depth of not less than 300mm. It shall be continuous between the KJB and the closest access chamber. For more details on KJB installation, see Section 4.7.

Where ducting pipes need to be joined, they shall be jointed with manufacturer approved PVC cement.

Communications ducting should comply with the local RCA's requirements.

4.4.1.1 *Pole access ducting*

Access from the ducting to the signal pole for ground plant or flange mounted poles shall be as shown in Appendix D.

4.4.2 *Signal duct access chambers*

Where possible, chambers are to be at least 2 m clear of the carriageway and clear of all pedestrian paths. A chamber is also to be provided immediately adjacent to the controller base.

Chambers are not to be located along pedestrian desire lines.

Chambers shall not be installed in the carriageway.

All duct access chambers shall be concrete and manufactured in accordance with NZS 3109 and AS/NZS 4058, with surfaces finishes to NZS 3114, Where contractors have chambers manufactured from alternative materials, they shall seek prior written approval from the RCA Traffic Signal Engineer before tender/installation.

All ducting shall be cut back to 100mm from the inside of the chamber wall and shall be sealed by applying a sand cement or epoxy mortar.

All covers are to be a minimum Class B as defined in AS 3996. Any chamber lid that is subject to possible traffic loading or installed in the carriageway are to be Class D.

Where the chamber is installed in a grassed berm, the lid of the chamber shall be encased by a concrete surround, a minimum of 300 mm wide by 100 mm deep and using 25 MPa concrete.

4.4.3 *Signal multi-core cable*

All cable shall be installed in the appropriate ducting as specified in Section 4.4.

The multicore cable shall be a purpose designed traffic signal cable externally insulated with orange sheathing with the internal individual core insulation being PVC coloured as described below. The external sheathing shall be marked to indicate its use in the installation of traffic signals. The cable shall comply with AS/NZS 2276.1 except as amended in Section 4.4.3.1.

The cable shall be in a continuous length from the controller to the pole and from pole to pole. Joints between poles will not be accepted in new works. A minimum of 2.0 m of cable slack shall be left at the controller base and a minimum of 1m in the chambers on all cable runs.

At existing installations where cable is to be replaced, similar cabling and cores as are already installed may be used.

Cabling shall not be installed into the ducting until backfilling of trenches has been completed.

4.4.3.1 *Amendments to AS/NZS 2276.1*

The following amendments shall be made to AS/NZS 2276.1:

- a) Remove requirement for external sheathing to be PVC. The sheathing used shall be suitable to be used in submerged conditions;
- b) 36 or 37 Core Cable core requirements and colours
 - i. 27x 1.5 mm² cores coloured white and consecutively numbered from 1 to 27 for signal group displays;

- ii. 4x 1.5 mm² cores coloured violet, labelled 'ELV ONLY' and consecutively numbered p1, p2, p3, p4;
- iii. 1x 2.5 mm² core coloured black;
- iv. 1x 4 mm² core coloured green/yellow for earth;
- v. 1x 1.5 mm² core coloured red as a general 230 V phase (for audio tactile, illuminated signs, cameras, and so on);
- vi. 1x 1.5 mm² core coloured grey as a detector return for push buttons;
- vii. 1x orange 1.5 mm² core used for street lighting feed (optional in 37 core cable).

c) 19 Core Cable core requirements and colours

- i. 16x 1.5 mm² cores coloured white and consecutively numbered from 1 to 27 for signal group displays;
- ii. 2x 1.5 mm² cores coloured violet, labelled 'ELV ONLY' and consecutively numbered 1 & 2;
- iii. 1x 2.5 mm² core coloured black;
- iv. 1x 2.5 mm² core coloured green/yellow for earth;
- v. 1x 2.5 mm² core coloured grey for detector return for push buttons.

4.4.4 Loop feeder cable

The feeder cable shall be a twisted pair and be terminated on the appropriate field terminals.

The maximum number of pairs per cable is four (4). If multi-pair cable is used then each pair should be labelled with factory indelible numbering on the cores, or colour coded as detailed below:

- Pair 1 – Blue and white/Blue
- Pair 2 – Orange and white/Orange or Red and white/Red
- Pair 3 – Green and white/Green
- Pair 4 – Black and white/Black

Cable pairs must be individually shielded.

All spare pairs are to be separated away from active pairs and all shield braids shall be connected to a common protective earth point at the controller.

The unshielded section of the feeder cable pairs shall remain twisted from the point they leave the cable shield to where they enter into the field terminals with the length of unshielded cable being as short as possible. All shields shall be connected to a single common functional earth point at the controller.

The feeder cable shall comply with AS/NZS 2276.2, except pairs shall be colour coded as above, and the overall external diameter will exceed 10mm. This is to allow the use of multi-pair loop-feeder cables.

At least 1.8 m of cable slack shall be left at the controller base, one turn in each access chamber and a minimum of 0.5 m curled up inside the kerbside junction box (KJB).

4.4.4.1 Loop feeder cable testing

All feeder cables shall be tested by measuring the insulation to ground (earth) and the results recorded on the commissioning sheet. A 500 V test shall be taken from the isolated conductors down to earth and a result of not less than 10 megohms will be acceptable. The resistance of the feeder cable and connected loop, when measured at the controller, shall be no more than 10 megaohms.

4.4.5 Mains power supply

The contractor shall be responsible for negotiating with the local electricity network provider for the supply of a mains power cable into the signal control cabinet.

4.4.6 Earthing

The earth pin and wiring connection shall be located in a protected enclosure not readily accessible to the public.

4.4.7 Fibre

Running fibre through signal access ducts should be avoided and if this is required confirmation shall be sought from the RCA Traffic Signal Engineer.

4.5 Installation of signal poles and mast arm/JUMA/JUSP poles

Signal poles shall be erected as detailed in Appendix C. Each pole is to be plumbed vertically to a tolerance of 10 mm per 5.0 m length.

For poles up to 5 m, all concrete footings shall have a 28-day compressive strength of at least 20 MPa. Footings for all other poles shall be as per the manufacturer's pole foundation design requirements.

Signal poles shall be in locations shown on the signal plan. These locations are only indicative and final locations will need to be marked out and agreed to with the RCA Traffic Signal Engineer. The RCA Traffic Signal Engineer shall approve any changes to the designed pole positions. Due to the requirement to ensure push buttons are within tolerance of the cross walk it is advisable to pot hole all the poles for a pedestrian crossing for approval before installation to minimise the impact of utilities. Pot holes are to be temporary reinstated following inspection and approval, temporary board covers are not acceptable where pedestrian access is permitted.

For traffic signal installations on heavy haulage routes, any signal poles in central islands, or poles that restrict the width to below the heavy haulage route requirements, shall be fold down type as detailed in figure C5 or C6 in Appendix C.

The contractor shall confirm on site that the location of all poles meets the clearance requirements to existing electrical supply services, both underground and overhead, as set out in NZECP 34.

4.6 Controller base

The controller base shall be constructed to provide a solid non-rocking platform on which the controller may be placed.

The base shall be constructed using reinforced concrete with a 28-day compressive strength of 20 MPa.

The RCA Traffic Signal Engineer or their representative will mark the exact position of the base on site.

4.7 Kerbside junction boxes

Kerbside junction boxes (KJB) shall be constructed from plastic, cast, or sheet aluminium and shall be no smaller than 300 mm long by 200 mm wide by 150 mm deep.

The KJB shall be fitted with a firm fitting non-skid lid secured to the base and the lid shall lie flush with the top of the box.

Each KJB shall be installed at the locations indicated on the drawing. Where possible it should be located adjacent to the primary signal pole. The KJB shall be at least 1 m from the back of the kerb, ideally out of the way of pedestrian traffic, and shall be level with the surrounding ground surface level.

A suitably sized duct must be fitted from the roadway back to the KJB. This duct must be straight, and be in a direct line from the KJB to the roadway. It is recommended that a Carriageway Loop Box (CLB) is installed flush with the road surface to access this duct.

Where there is no concrete kerbing present the KJB shall be located as close as practicable to the carriageway.

KJB shall be bedded on 100 mm of free draining material and surrounded by 150 mm wide by 150 mm deep concrete haunching and the junction box lid and haunching shall be flush with the surrounding ground level.

The junction box and installation shall be capable of withstanding being run-over by a heavy vehicle.

4.8 Labelling of cables

All multicore cabling shall be clearly labelled at both ends with the cable run number. The cable shall be numbered so that cable 1 goes to pole 1, cable 2 goes pole 2, and so on. When there are two or more identical cables laid between poles, one cable shall have its label followed by the letter A (for example, P6A) which shall have terminal numbers starting at 1. The second cable shall be labelled B (for example, P6B) and start at the next available terminal, and so on.

All loop feeder cable shall be labelled at both ends with the appropriate detector loop number.

The approved method for labelling all cables is using a heavy duty PVC marker, white or yellow with black moulded or engraved lettering. This marker is to be of the non-split type that completely encircles the cable core.

4.9 Cabling documentation

All new or modified traffic signal ducting and cabling is required to be recorded for inclusion on the appropriate RCA cable diagram.

Any contractor installing or modifying traffic signal ducts or cables shall notify the RCA Traffic Signal Engineer a minimum of 24 hours prior to backfilling any trenches in which new or modified ducts/cabling have been installed so that the cables can be independently sighted and recorded. No inspections will be carried out outside of normal working hours except by prior arrangement with the RCA Traffic Signal Engineer.

5 MAINTENANCE OF NEW WORK DURING DLP

5.1 Fault attendance

All callouts to faults reported during the contracts Defects Liability Period (DLP) or whilst the installation is under maintenance, or during the equipment guarantee period, shall initially be attended by the local RCA's Maintenance Contractor through the RCA's normal fault attendance process.

Whilst the installation is in the DLP, or similar periods, the contractor who installed the signals (installation contractor) shall be required to provide the contact details of a suitably qualified technician who is contactable 24 hours per day and 7 days per week to assist the RCA's Maintenance contractor to resolve the fault. The contact details shall be provided on a laminated sheet inside the controller cabinet. This sheet will also contain the expiry date of the DLP.

On attendance to site, the Maintenance contractor will inform the installation contractor that they are attending a fault. The Maintenance contractor will be responsible for getting the signals operational as quickly as possible. The installation contractor shall be required to provide all assistance to ensure that the signals are operational as quickly as possible by either attending the site immediately after they are contacted or directing the Maintenance contractor on how the fault may be remedied (by phone calls and providing documentation).

If the fault is likely to take longer than four hours to remedy, the Maintenance contractor must make the site safe, and discuss the further course of action with the RCA. The RCA can direct the Maintenance contractor to continue the repair, or require the Installation contractor to urgently attend site and complete the repairs under DLP.

All costs incurred by the Maintenance contractor for faults covered during the DLP or similar periods will be invoiced to the RCA under the conditions of the existing maintenance contract for callouts. The RCA must be reimbursed by the signals installation contractor.

At the end of the DLP/guarantee period, the equipment shall be handed over in full working order with no defects of any kind. Should defects exist, whether in control equipment, detectors, or signal hardware or in any part of the equipment supplied, these shall be made good by the Project at no cost to the RCA.

5.2 Repairs and maintenance during construction

During construction, the site will have different maintenance requirements than during normal operation. Lanterns may require more frequent cleaning due to dust, and lantern alignment may be more critical with traffic lanes being shifted.

If any Traffic Management is applied in the intersection, or the approaches to the intersection, the signals are under the duty of care of the Project. The Project is responsible for all maintenance and repairs during this period. This includes repairs of any damage done to the signals infrastructure by construction crews or the public.

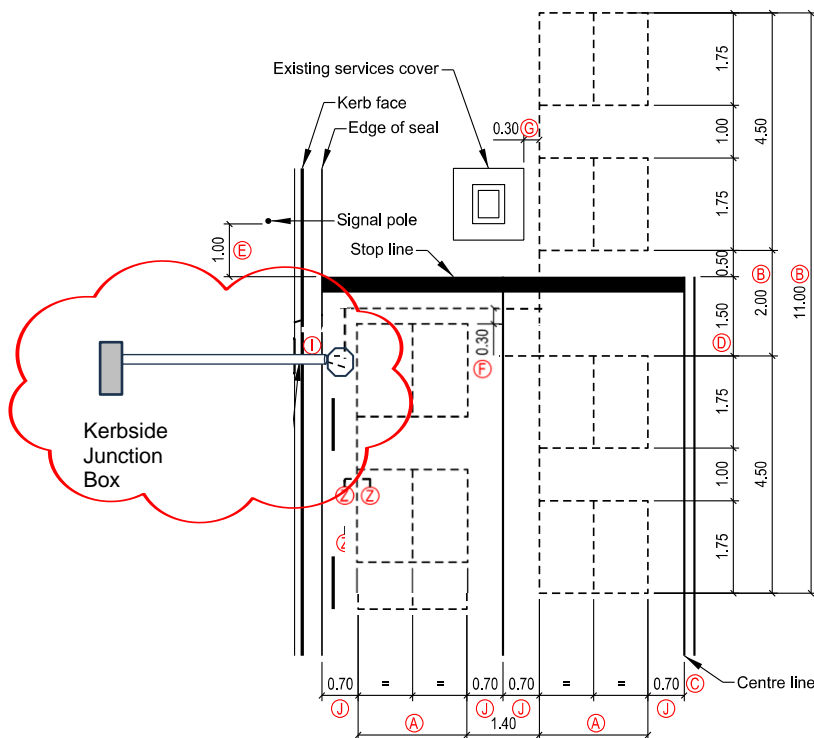
Where the Project can clearly prove the damage was not caused by interference from the Project, this must be discussed in good faith with the RCA Traffic Signal Engineer.

The signals contractor must collect all evidence that can be used by the RCA to attempt cost recovery.

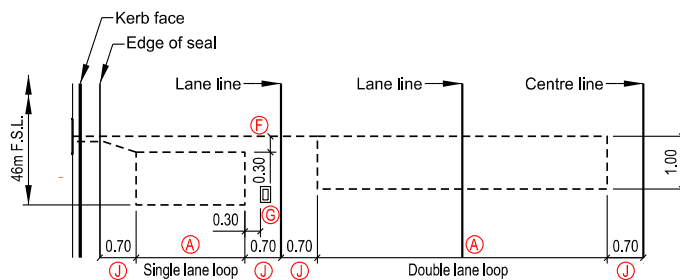
5.3 Preventative maintenance during DLP period

It will be the responsibility of the Project to arrange any preventative maintenance during DLP. As a minimum, preventative maintenance should be undertaken by the installing contractor within a month of the scheduled hand over to maintenance. Records of this maintenance will be provided to the RCA's Traffic Signals Engineer at hand over as evidence of the asset condition.

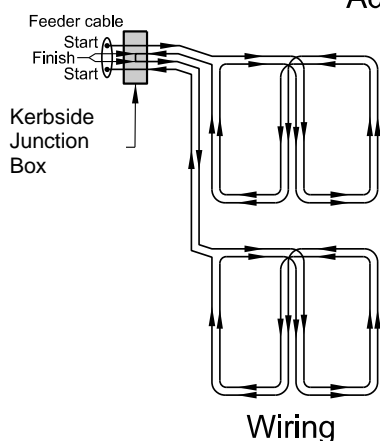
APPENDIX A – INDUCTIVE LOOP LAYOUT DETAILS



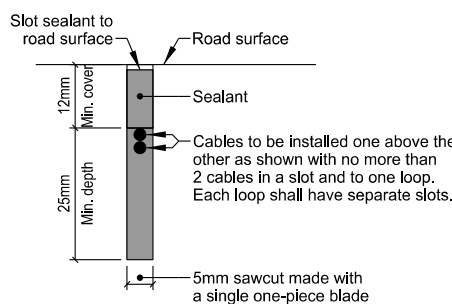
Standard 4.5m Stopline Loop With Right Turn Call Loop



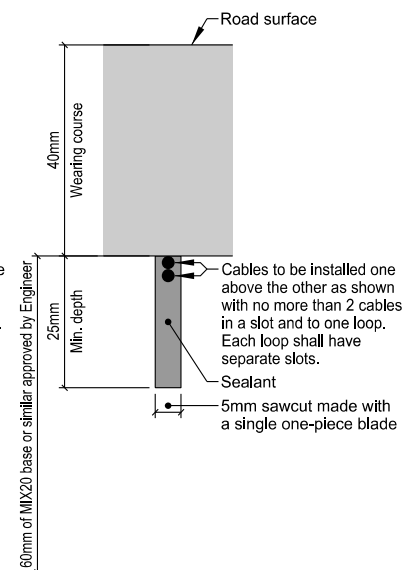
Advance Loop



Wiring



Existing Road Surfaces Section Z-Z



Newly Constructed Road Surfaces Section Z-Z

Notes:

- (A) Dimension derived from the lane width stated on the design plan.
- (B) Distance between the loops will depend on geometry layout and right turn filtering position of vehicle.
- (C) 0.7m distance to be 0.5m when the loop and lane is separated more than 0.5m using for example a median or painted lines
- (D) Distance 1.5m from stop line (F.S.L.) unless otherwise stated on the design plan.
- (E) Distance between 1.0-3.0m from primary pole location unless otherwise stated on the design plan. Where no details have been supplied it shall be 1.0m.
- (F) Feeders shall all be in separate slots, one slot per loop pair to kerb face and be a minimum of 0.3m apart from other slots.
- (G) Service covers shall be at least 0.3m from any loop cable slot.
- (H) As built information to show locations of loop feeder cables in relation to the equipment including pole, kerb face medians, service covers, distance to the stop line shall be recorded on the as built in metres from stop line (F.S.L.) to start of loop.
- (I) Carriageway Loop Box (CLB), or start of conduit feeding under kerb to Kerbside Junction Box (KJB).
- (J) Offset loops 0.7m from the road lane markings adjacent to the loop, where lane loop is adjacent to kerb face use edge of seal to offset 0.7m to loop.

Deleted

Wiring Rules:

1. Mark 'start' at end of cable.
2. Start of in a clockwise direction on entry from kerb face.
3. Form two 'figure 8' patterns for each loop section.
4. Change direction at the centre (longitudinal) cut to make a 'figure 8' pattern.

Figure A01 – Vehicle loop details

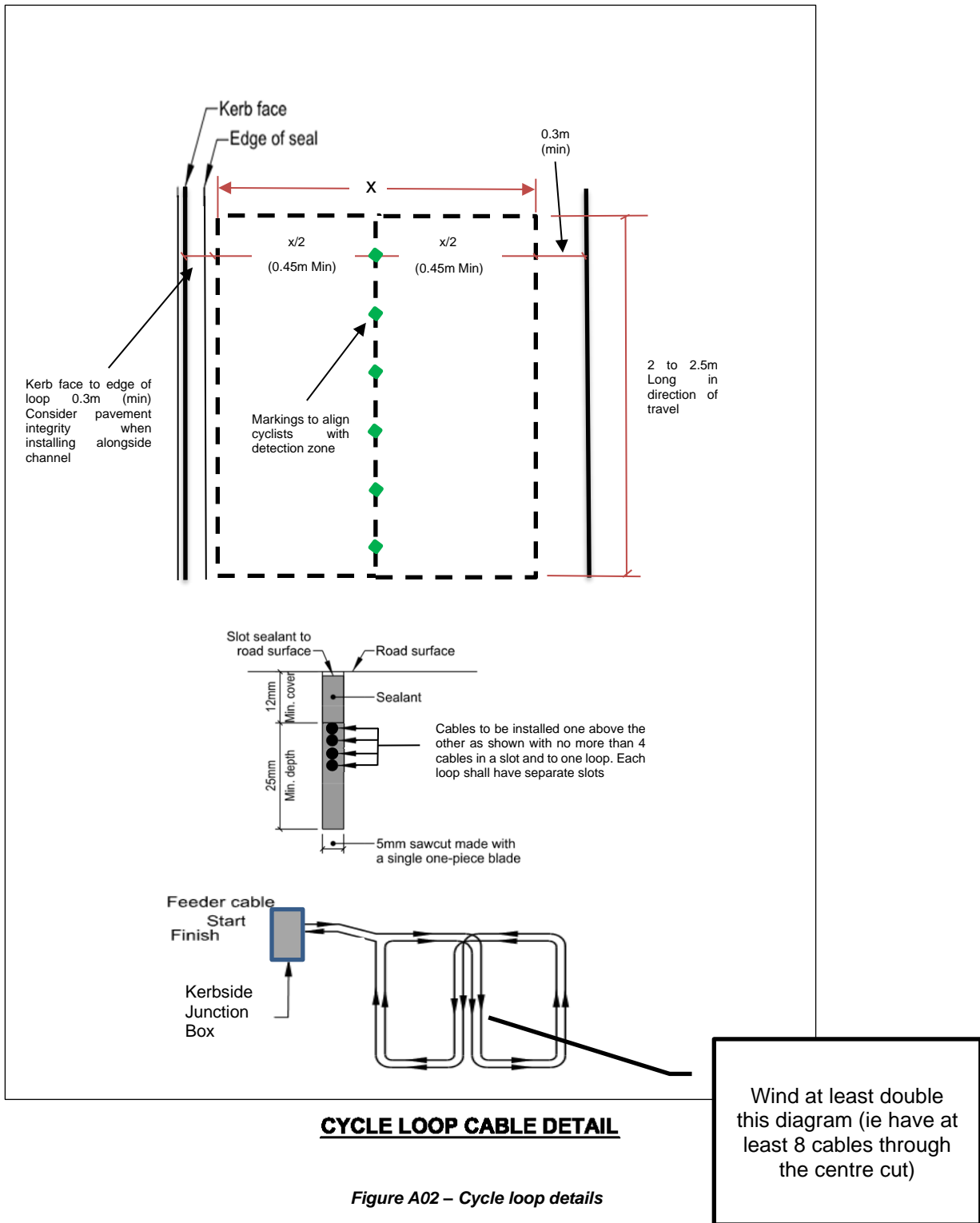


Figure A02 – Cycle loop details

APPENDIX B - 5 METRE POLE TOP ASSEMBLY

Figure B01 – Pole Top Assembly

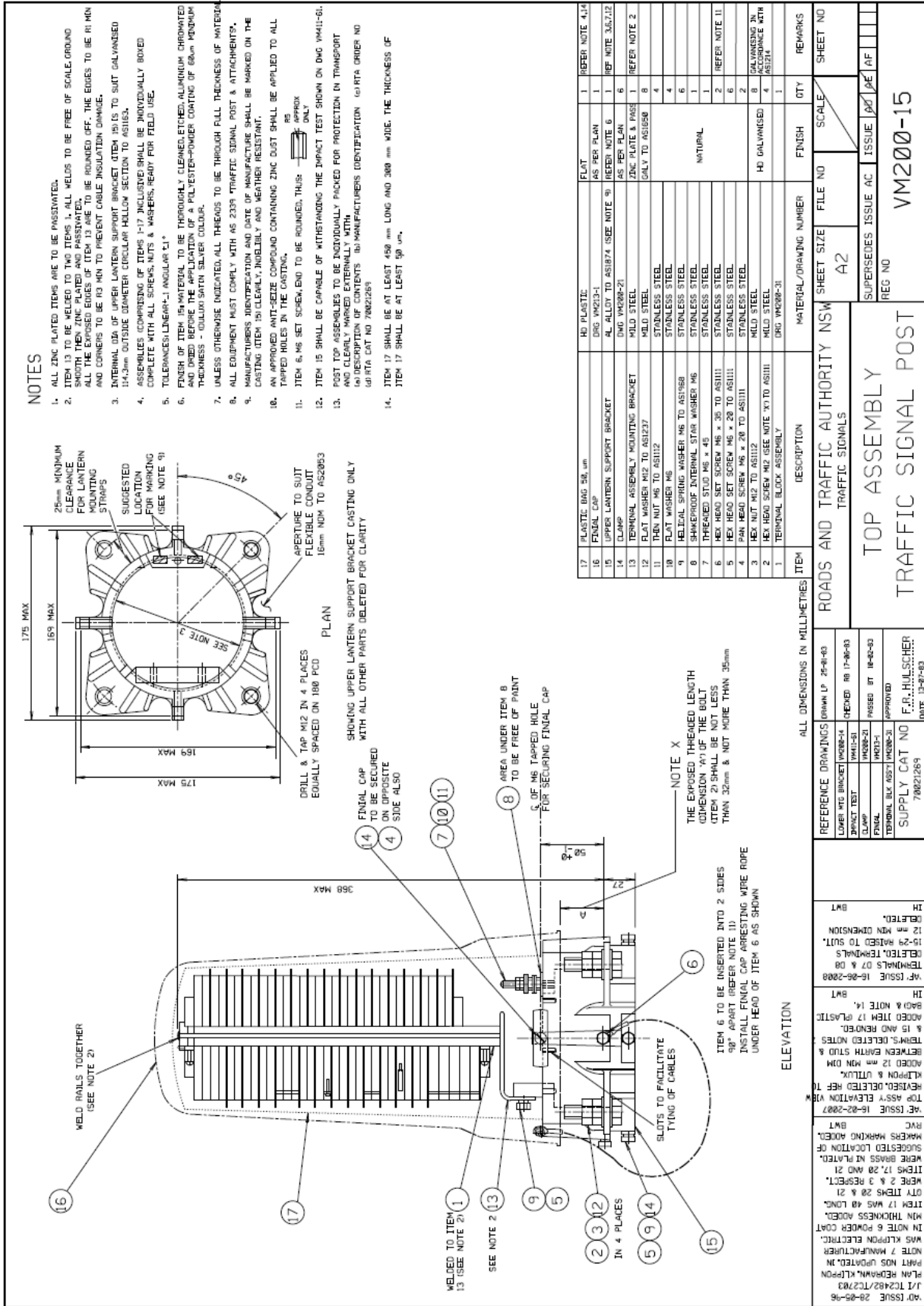
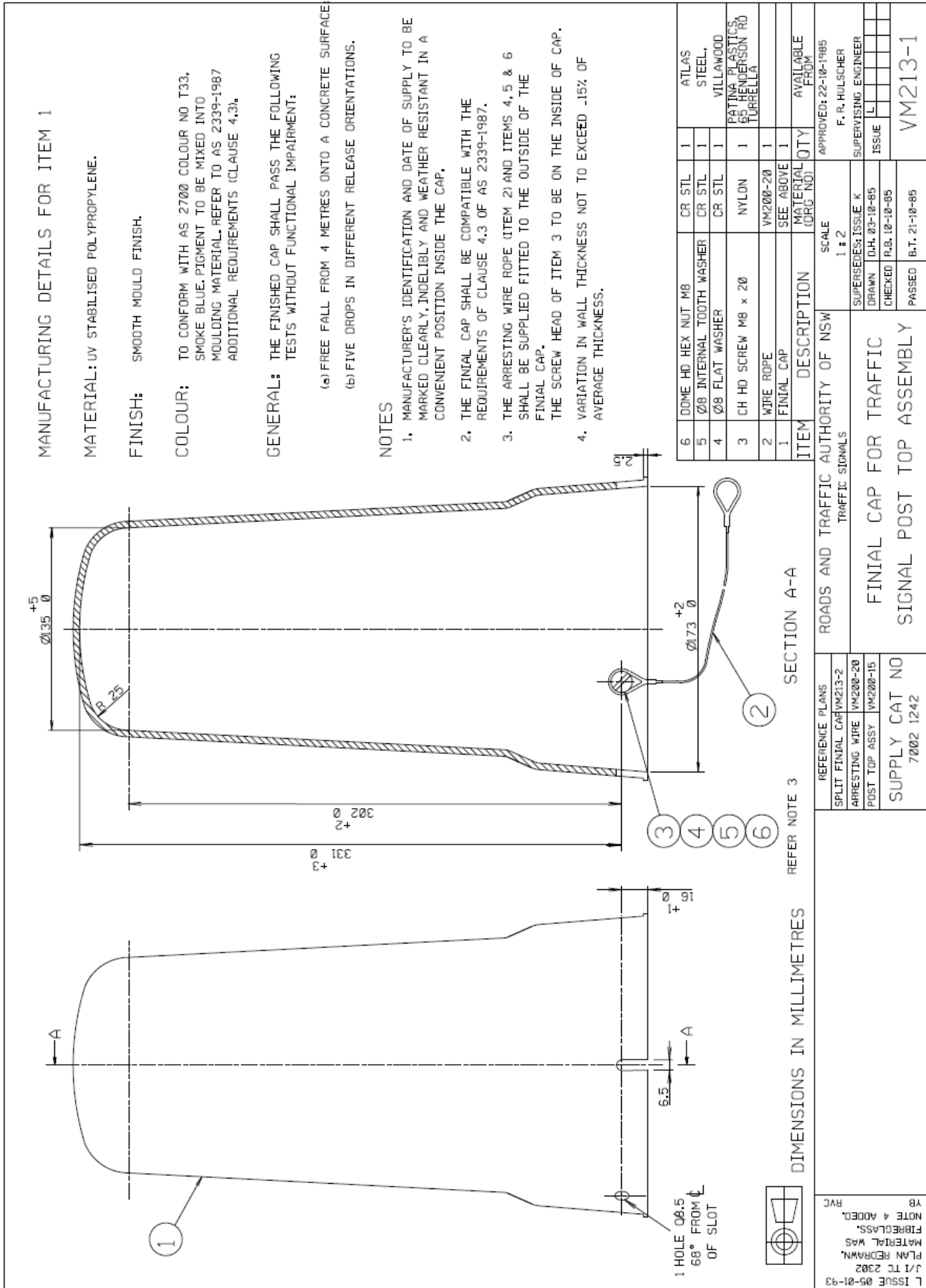


Figure B02 – Pole Top Assembly



APPENDIX C – SIGNAL POLE DETAILS

Figure C01 – Type 1 NASSRA Pole Ground Plant

Figure C02 – Type 1 NASSRA Pole Retention Socket

Figure C03 – Type 2 Combined CCTV Pole Ground Plant

Figure C04 – Type 2 Combined CCTV Pole Retention Socket

Figure C05 – Type 8 Hinged NASSRA Pole Ground Plant

Figure C06 – Type 8 Hinged NASSRA Pole Retention Socket

Figure C07 – Type 0 Extension Signals Pole Ground Plant Ground Plant

Figure C08 – Type 11 Cycle NASSRA Pole with Cycle Hoop - Retention Socket

Figure C09 – Octagonal JUSP Pole Ground Plant

Figure C10 – Octagonal JUSP Pole Flange Mount

Figure C11 - Deleted

Figure C12 –Urban JUSP Retention Socket

Figure C13 – Type 3s & 5s JUMA - CCTV - Flange Mount

Figure C14 – Type 3, 5, & 7 JUMA Columns – Street Light Extension - Flange Mount

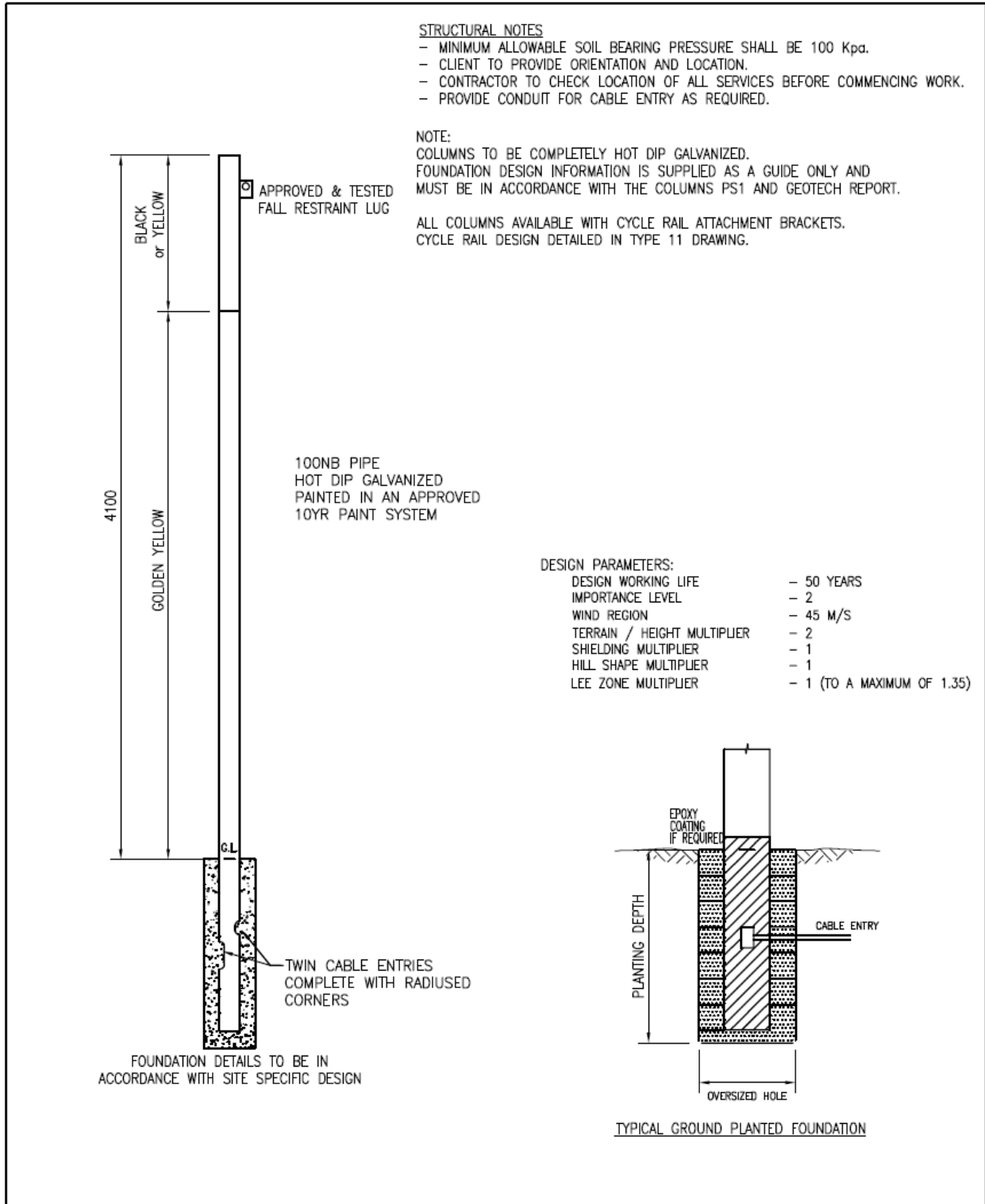
Figure C15 – Type 9 Cycle Mastarm Columns - Flange Mount

Figure C16 - Deleted

Figure C17 – Type 1 NASSRA Pole Cycle Hold Rail Ground Plant

Figure C18 – Pedestrian Stub Pole Cycle Hold Rail Ground Plant

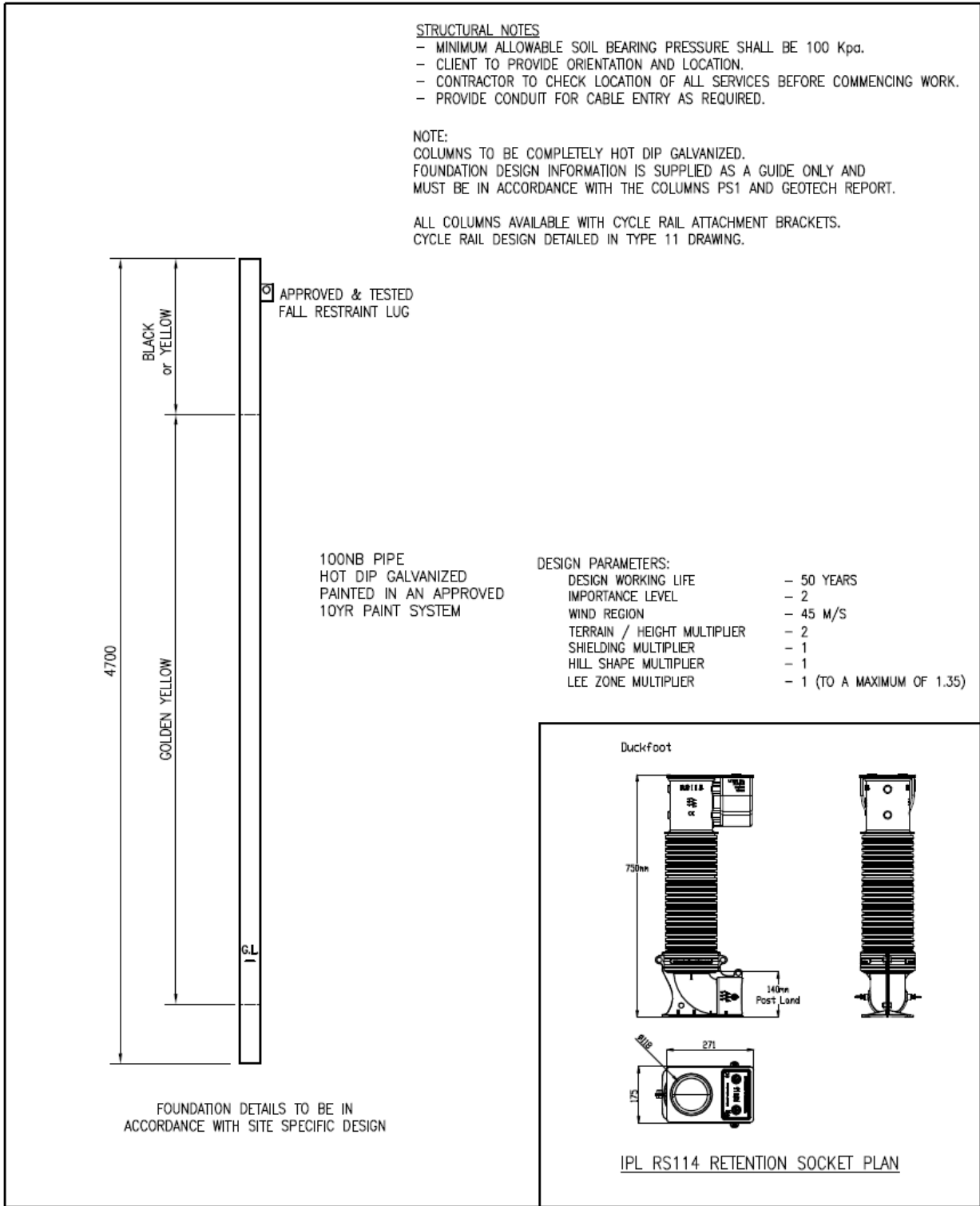
Figure C01 – Type 1 NASSRA Pole Ground Plant



Rev	Amendment Description	By	Chk	Date	DESIGN PARAMETERS:
A	Initial issue	DE	-	08/16	Design Working Life: 50 Importance Level: 2 Wind Region: 45 Terrain Category: 2 Site Elevation:
PROJECT: NZTA P43 SPECIFICATION FOR TRAFFIC SIGNALS ADDRESS: WELLINGTON TITLE: TYPE 1 NASSRA POLE GROUND PLANT <small>FULL POLE DESIGN DETAILS REMAIN THE PROPERTY OF SPUNLITE POLES & COC</small>					PROJECT NUMBER: - DRG.SIZE: A4 SCALE: AS SHOWN SHEET: C1 REVISION: A

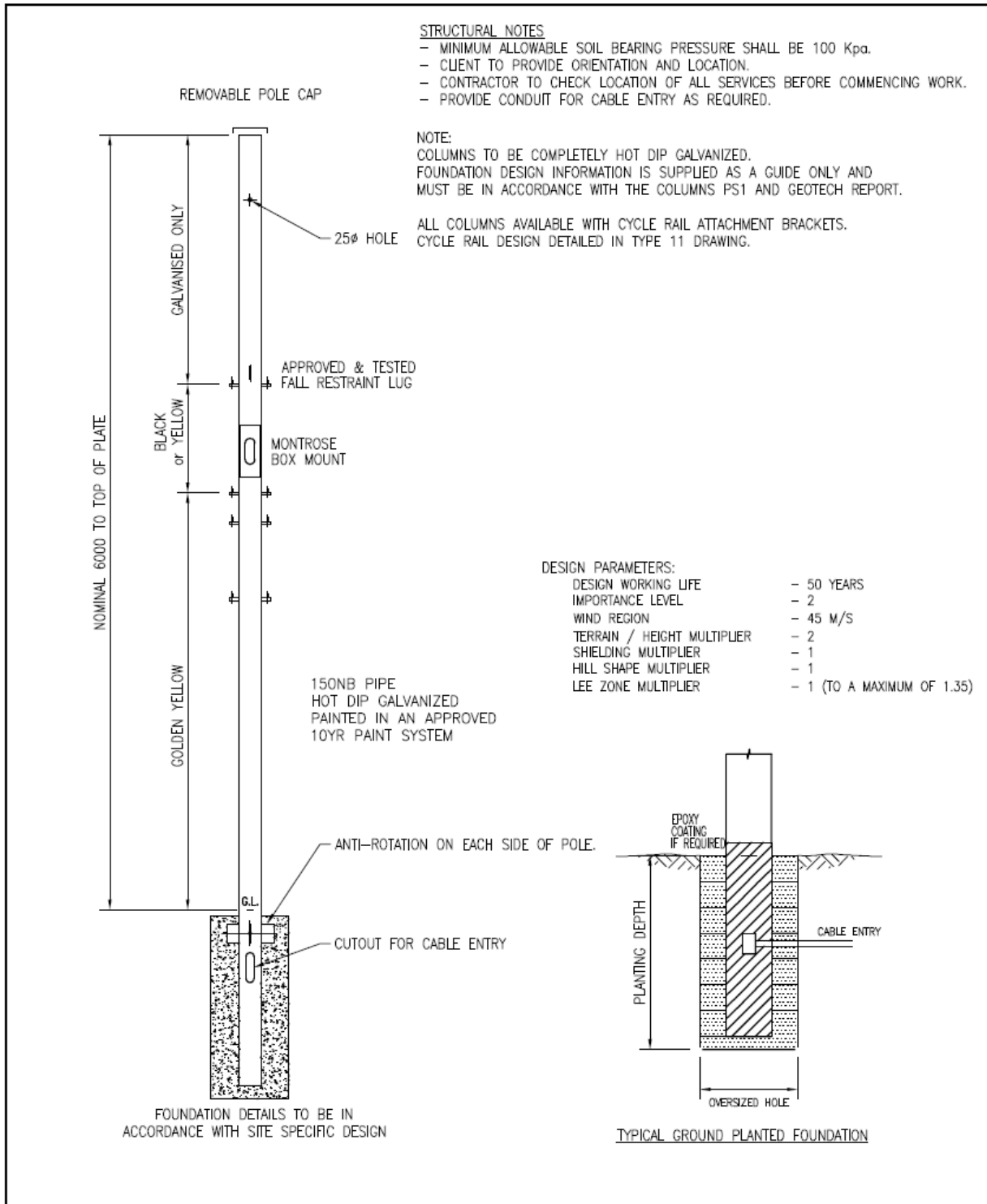
C:\Users\davidevans\National Pole Specification\Current Drawings\P43 National Traffic Specification Pole Drawings - 31.08.16.dwg

Figure C02 – Type 1 NASSRA Pole Retention Socket



Rev	Amendment Description	By	Chk	Date	DESIGN PARAMETERS:	
A	Initial issue	DE	-	08/16	Design Working Life: 50 Importance Level: 2 Wind Region: 45 Terrain Category: 2 Site Elevation:	
PROJECT: NZTA P43 SPECIFICATION FOR TRAFFIC SIGNALS ADDRESS: WELLINGTON					PROJECT NUMBER	SHEET
TITLE: TYPE 1 NASSRA POLE IPL RS114 RETENTION SOCKET					-	C2
FULL POLE DESIGN DETAILS REMAIN THE PROPERTY OF SPUNLITE POLES & CCC C:\Users\davidevans\National Pole Specification\Current Drawings\P43 National Traffic Specification Pole Drawings - 31.08.16.dwg					DRG.SIZE	REVISION
					A4	A

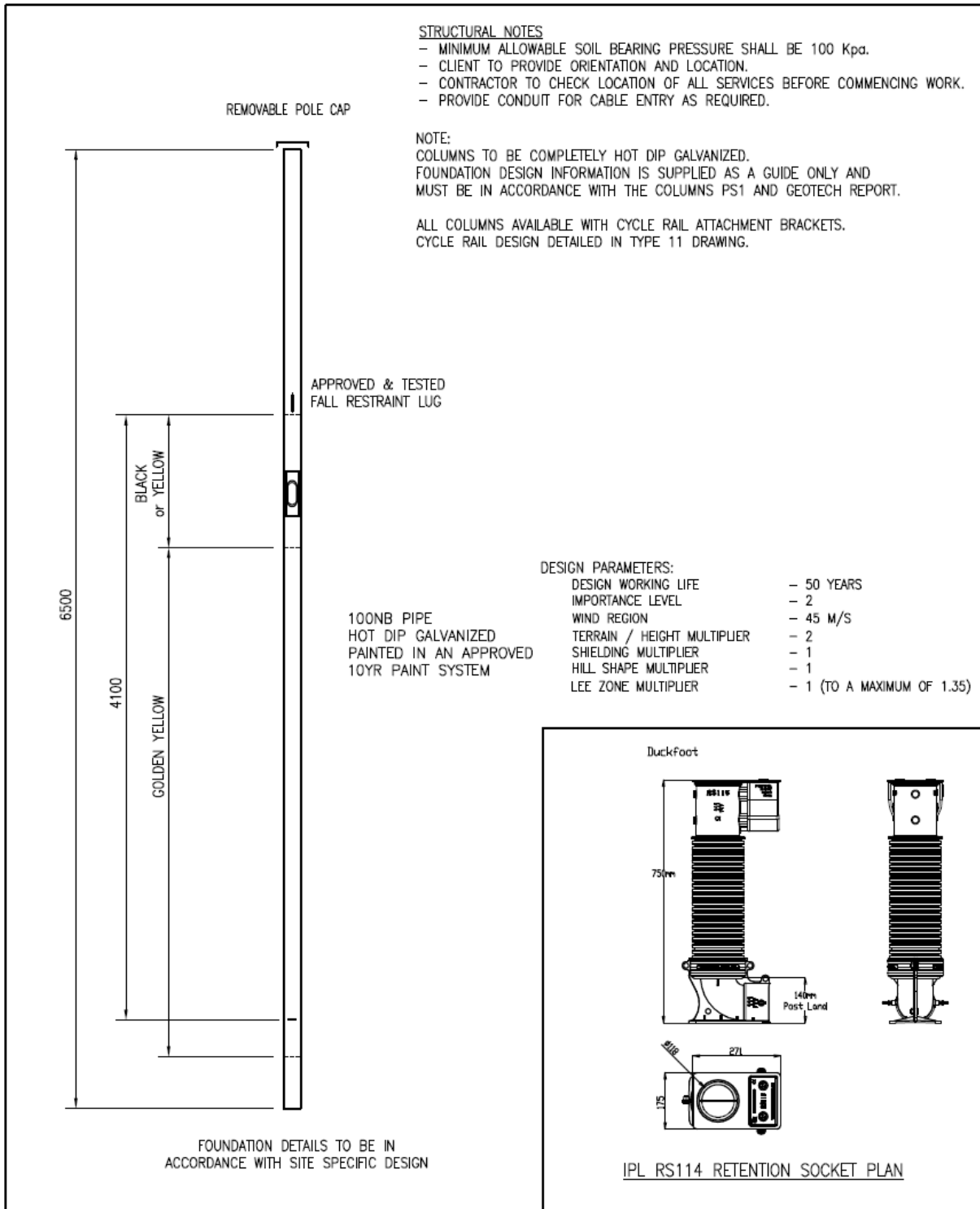
Figure C03 – Type 2 Combined CCTV Pole Ground Plant



Rev	Amendment Description	By	Chk	Date	DESIGN PARAMETERS:
A	Initial issue	DE	-	08/16	Design Working Life: - Importance Level: - Wind Region: - Terrain Category: - Site Elevation: -
PROJECT: NZTA P43 SPECIFICATION FOR TRAFFIC SIGNALS ADDRESS: WELLINGTON					PROJECT NUMBER -
TITLE: TYPE 2 COMBINED CCTV TRAFFIC POLE GROUND PLANT					DRG.SIZE A4
					SCALE AS SHOWN
					SHEET C3
					REVISION A

FULL POLE DESIGN DETAILS REMAIN THE PROPERTY OF SPUNITE POLES & CO.
C:\Users\davidevans\National Pole Specification\Current Drawings\P43 National Traffic Specification Pole Drawings - 31.08.16.dwg

Figure C04 – Type 2 Combined CCTV Pole Retention Socket

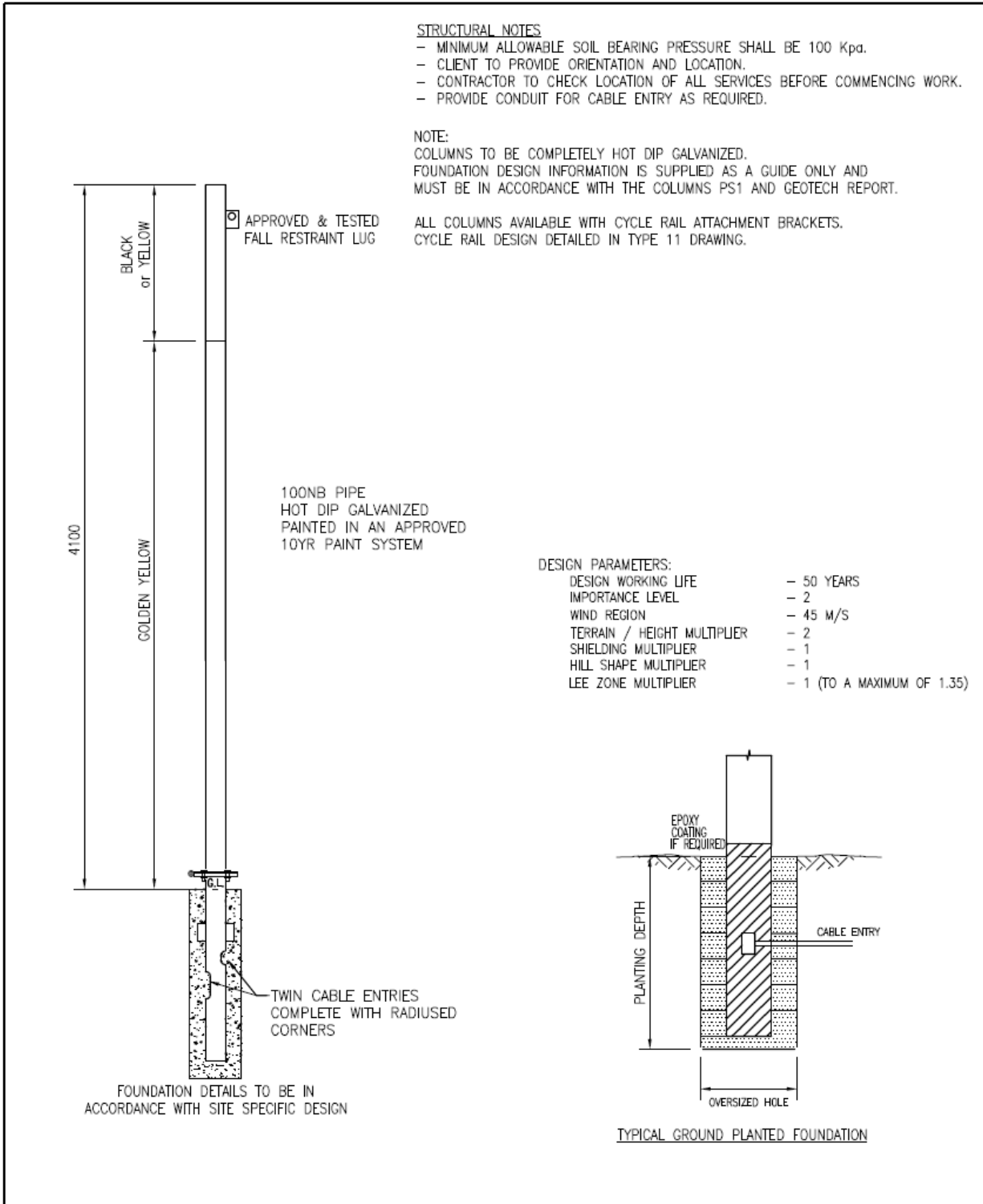


Rev	Amendment Description	By	Chk	Date	DESIGN PARAMETERS:
A	Initial issue	DE	-	08/16	Design Working Life: 50 Importance Level: 2 Wind Region: 45 Terrain Category: 2 Site Elevation:

PROJECT: NZTA P43 SPECIFICATION FOR TRAFFIC SIGNALS ADDRESS: WELLINGTON		PROJECT NUMBER	SHEET
TITLE: TYPE 2 COMBINED CCTV SIGNAL POLE IPL RS114 RETENTION SOCKET		-	C4
DRG.SIZE	SCALE	REVISION	
A4	AS SHOWN	A	

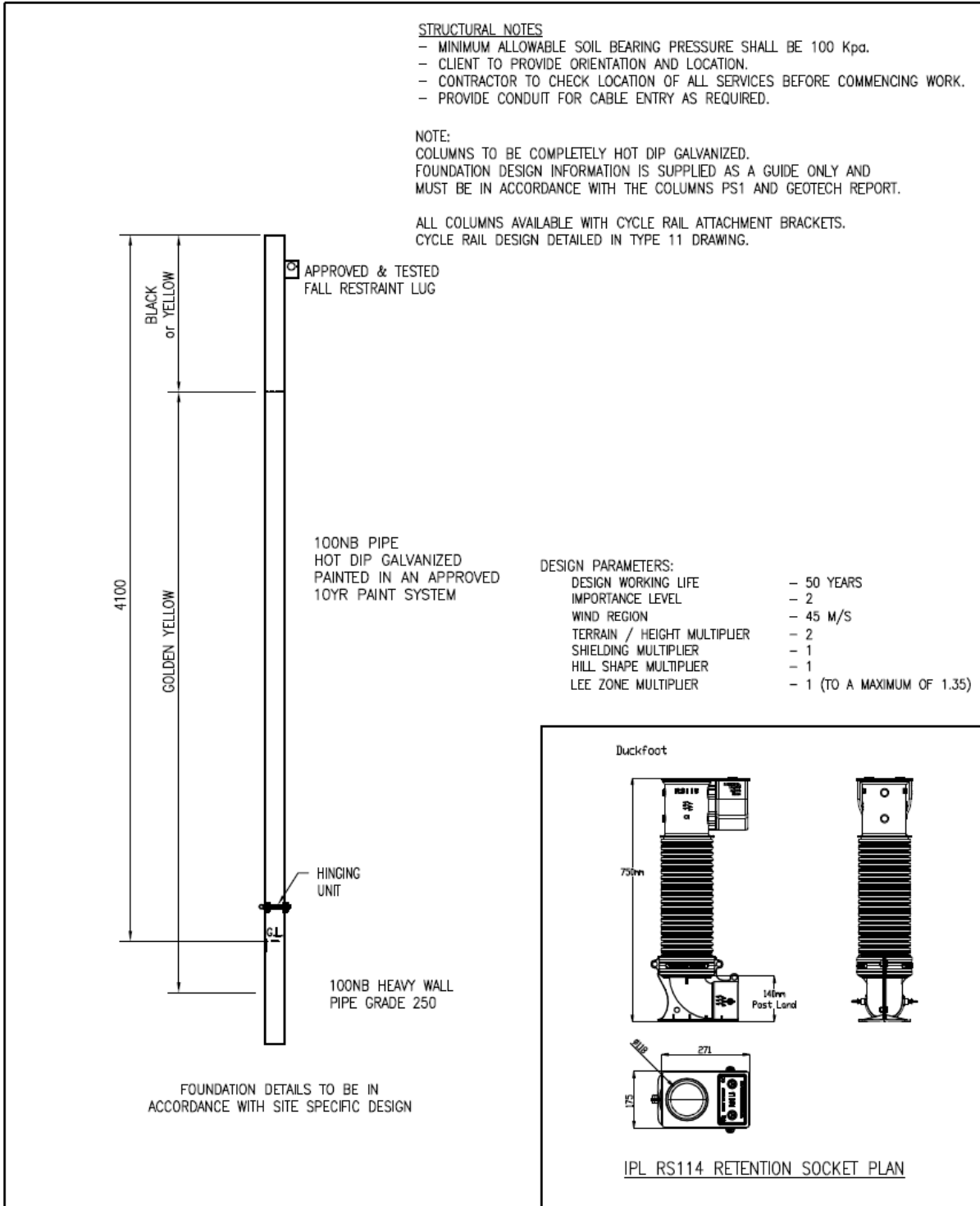
FULL POLE DESIGN DETAILS REMAIN THE PROPERTY OF SPUNLITE POLES & COC
C:\Users\davidevans\National Pole Specification\Current Drawings\P43 National Traffic Specification Pole Drawings - 31.08.16.dwg

Figure C05 – Type 8 Hinged NASSRA Pole Ground Plant



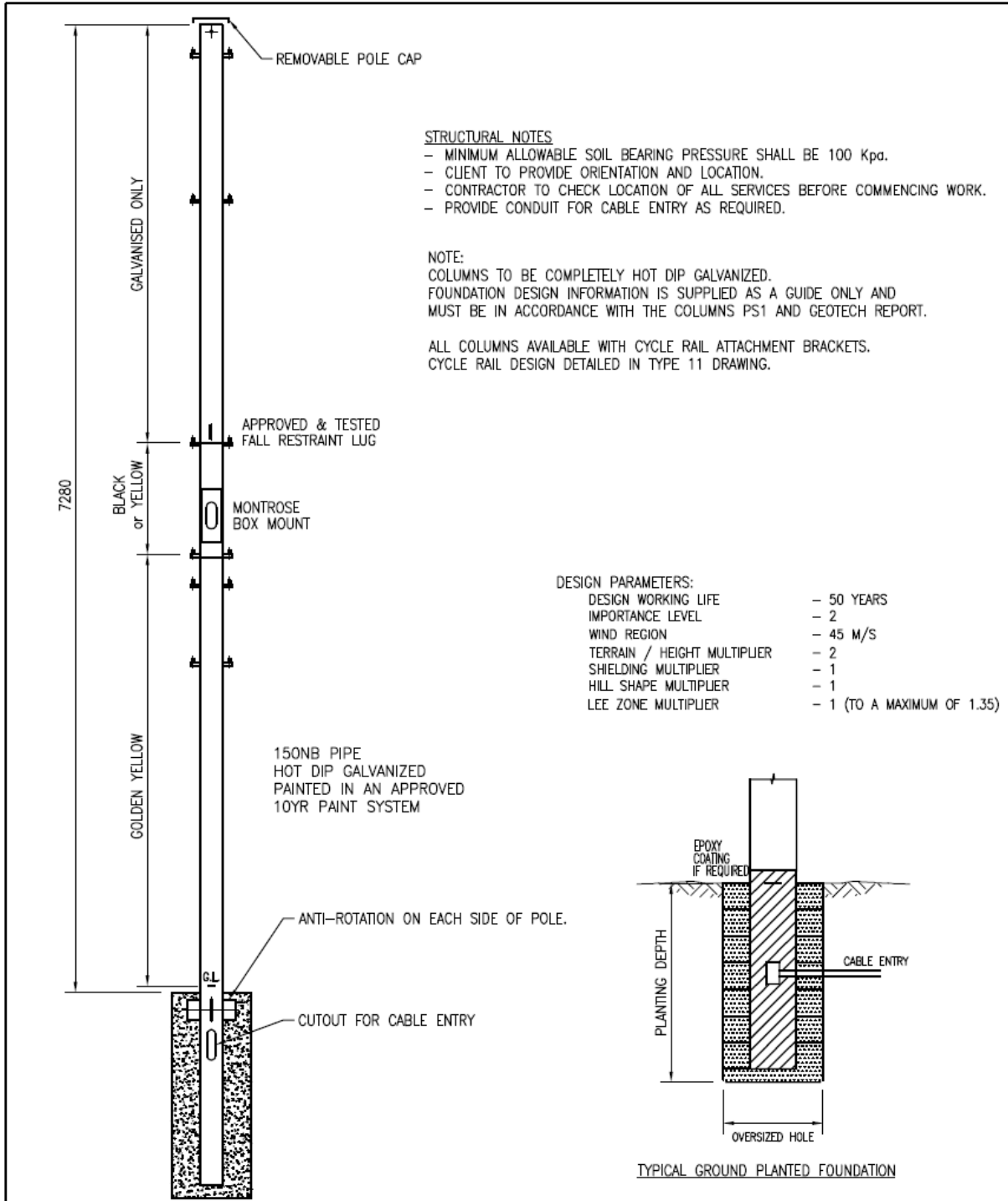
Rev	Amendment Description	By	Chk	Date	DESIGN PARAMETERS:	
A	Initial issue	DE	-	08/16	Design Working Life: - Importance Level: - Wind Region: - Terrain Category: - Site Elevation: -	
PROJECT: NZTA P43 SPECIFICATION FOR TRAFFIC SIGNALS					PROJECT NUMBER	SHEET
ADDRESS: WELLINGTON					-	C5
TITLE: TYPE 8 HINGED NASSRA POLE GROUND PLANT					DRG.SIZE	SCALE
FULL POLE DESIGN DETAILS REMAIN THE PROPERTY OF SPINUTE POLES & CCC					A4	AS SHOWN
C:\Users\davidevans\National Pole Specification\Current Drawings\P43 National Traffic Specification Pole Drawings - 31.08.16.dwg					REVISION	A

Figure C06 – Type 8 Hinged NASSRA Pole Retention Socket



Rev	Amendment Description	By	Chk	Date	DESIGN PARAMETERS:	
A	Initial issue	DE	-	08/16	Design Working Life: - Importance Level: - Wind Region: - Terrain Category: - Site Elevation: -	
PROJECT: NZTA P43 SPECIFICATION FOR TRAFFIC SIGNALS ADDRESS: WELLINGTON					PROJECT NUMBER	SHEET
TITLE: TYPE 8 HINGED NASSRA POLE IPL RS114 RETENTION SOCKET					-	C6
FULL POLE DESIGN DETAILS REMAIN THE PROPERTY OF SPINLITE POLES & COC					DRG.SIZE	REVISION
C:\Users\davidvans\National Pole Specification\Current Drawings\P43 National Traffic Specification Pole Drawings - 31.08.16.dwg					A4	A

Figure C07 – Type 0 Extension Signals Pole Ground Plant Ground Plant



FOUNDATION DETAILS TO BE IN ACCORDANCE WITH SITE SPECIFIC DESIGN

Rev	Amendment Description	By	Chk	Date	DESIGN PARAMETERS:	
A	Initial issue	DE	-	08/16	Design Working Life: - Importance Level: - Wind Region: - Terrain Category: - Site Elevation: -	
PROJECT: NZTA P43 SPECIFICATION FOR TRAFFIC SIGNALS ADDRESS: WELLINGTON					PROJECT NUMBER	SHEET
TITLE: TYPE 0 EXTENSION SIGNALS POLE GROUND PLANT					-	C7
FULL POLE DESIGN DETAILS REMAIN THE PROPERTY OF SPUNLITE POLES & COO					DRG.SIZE	REVISION
					A4	AS SHOWN A

C:\Users\davidevans\National Pole Specification\Current Drawings\P43 National Traffic Specification Pole Drawings - 31.08.16.dwg

Figure C08 – Type 11 Cycle NASSRA Pole with Cycle Hoop - Retention Socket

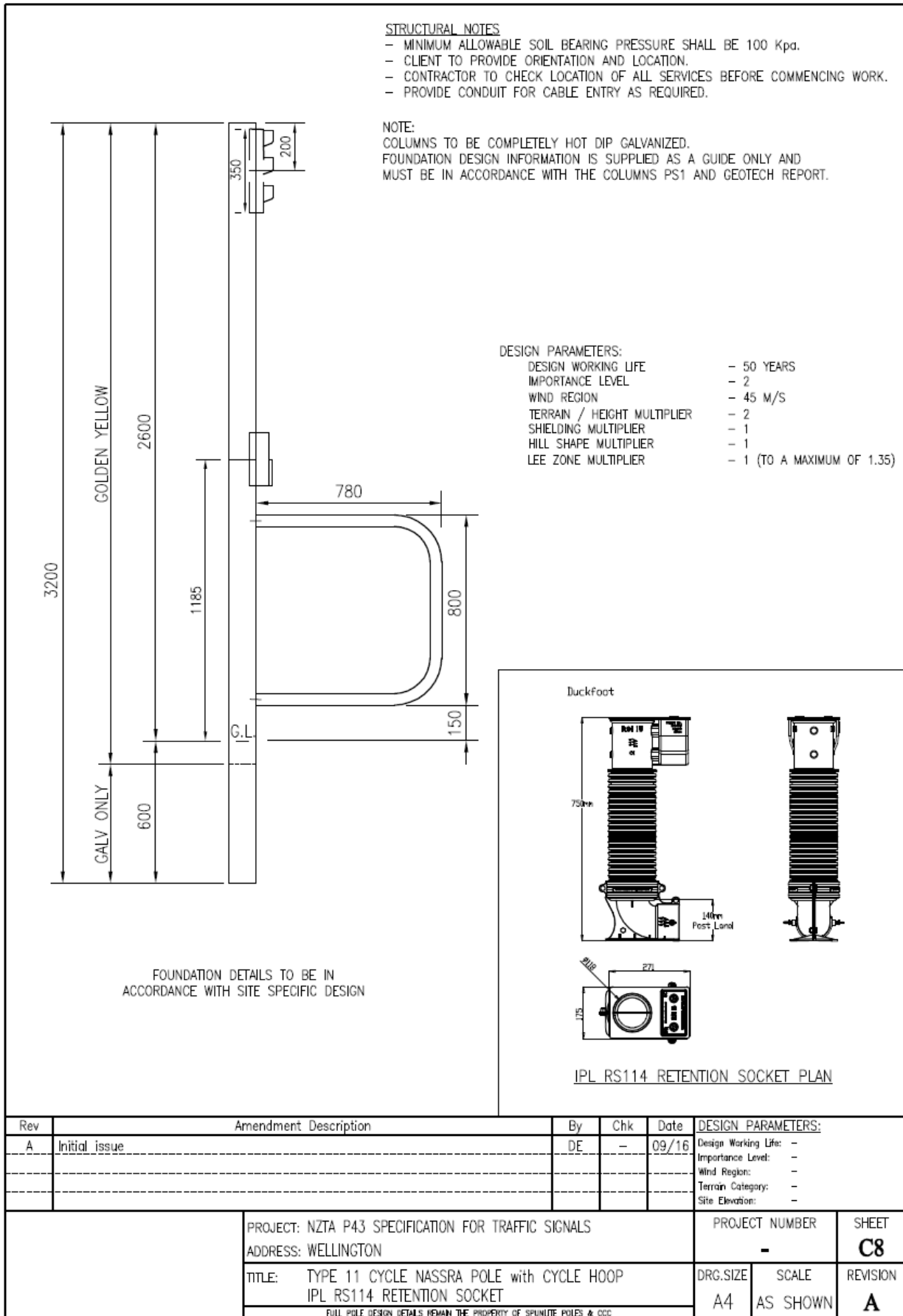
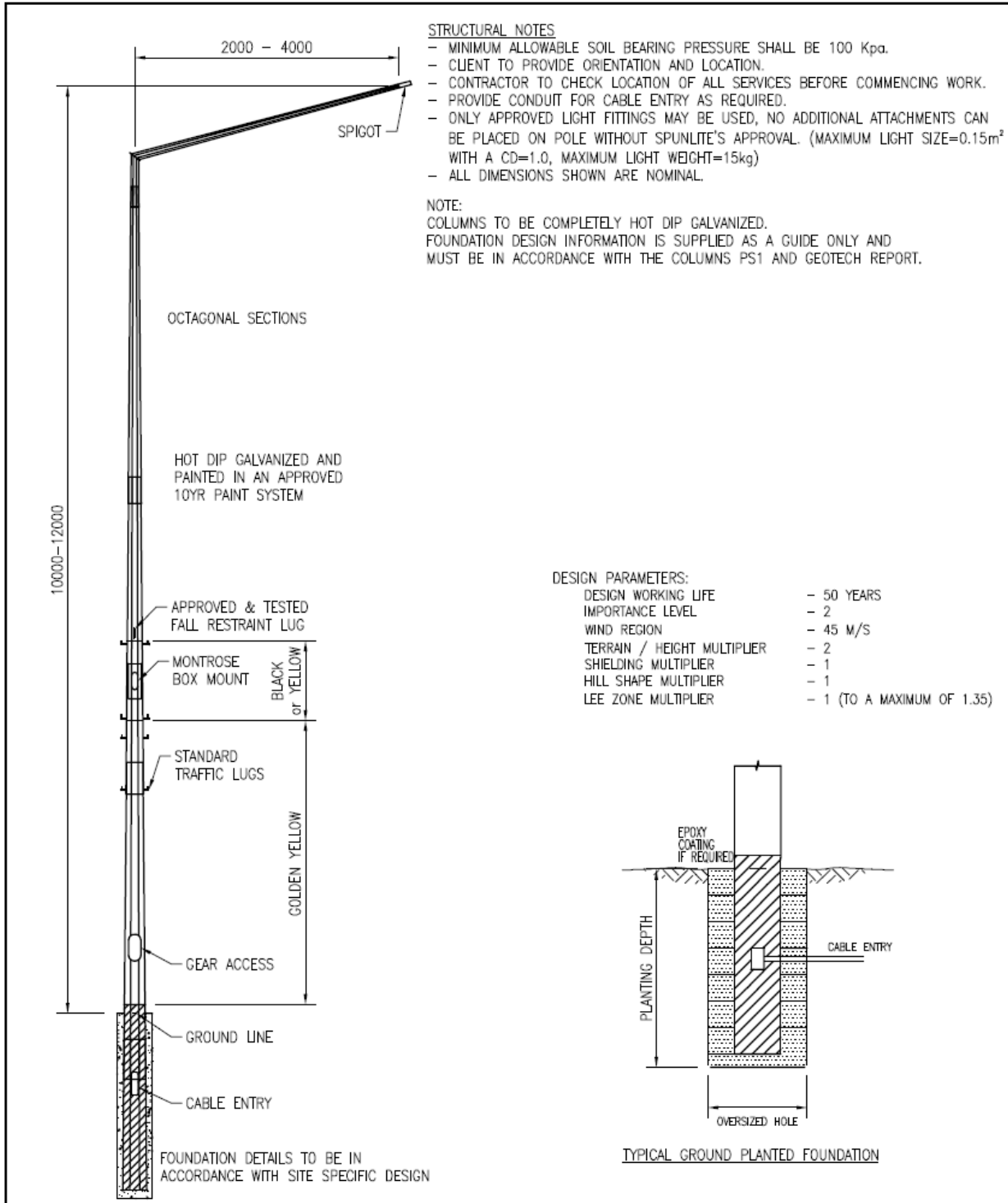


Figure C09 – Octagonal JUSP Pole Ground Plant

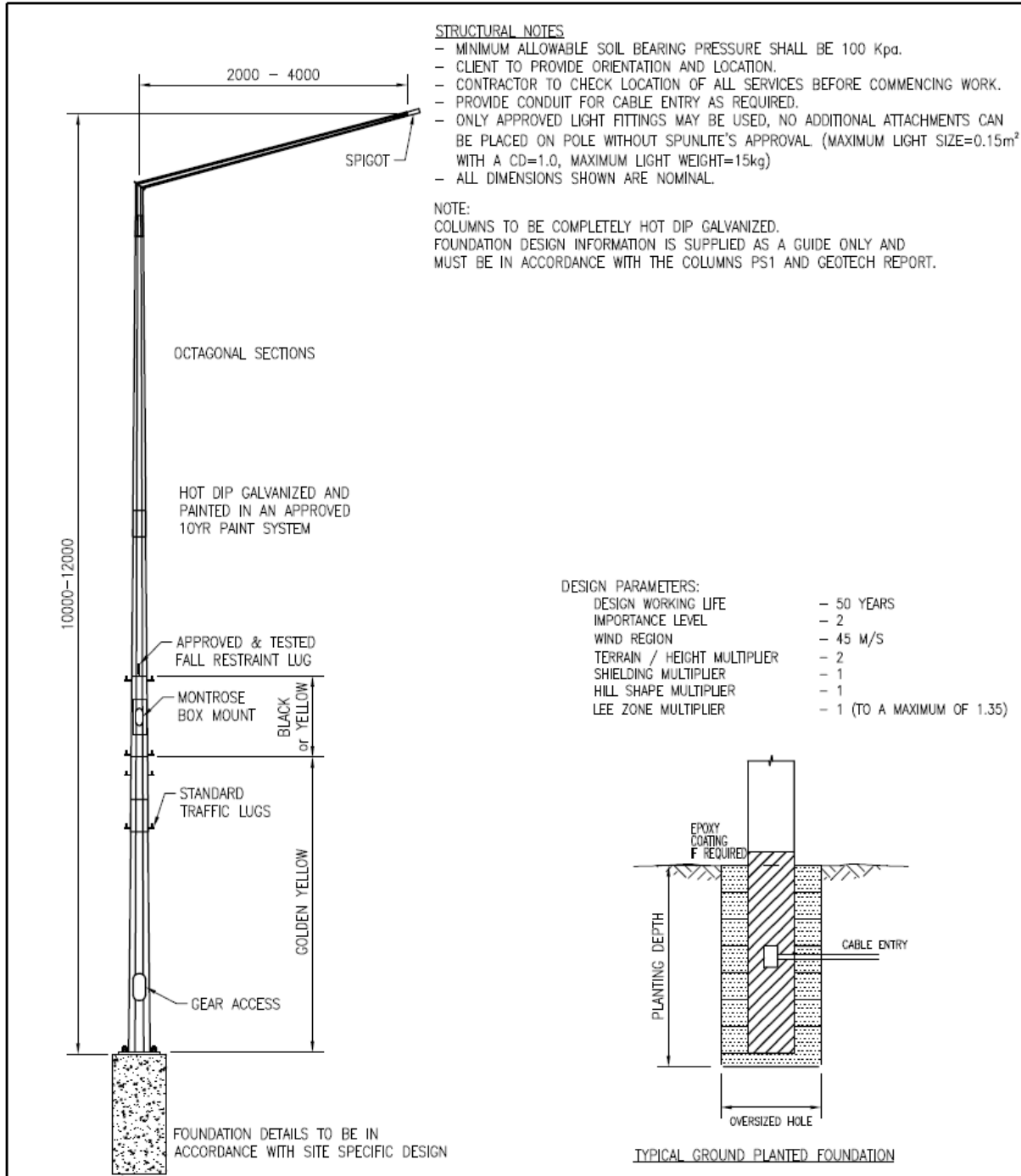


Rev	Amendment Description	By	Chk	Date	DESIGN PARAMETERS:
A	Initial issue	DE	-	09/16	Design Working Life: - Importance Level: - Wind Region: - Terrain Category: - Site Elevation: -

PROJECT: NZTA P43 SPECIFICATION FOR TRAFFIC SIGNALS		PROJECT NUMBER	SHEET
ADDRESS: WELLINGTON		-	C9
TITLE: OCTAGONAL JOINT USE SIGNAL POLE (JUSP) GROUND PLANT		DRG.SIZE	SCALE
FULL POLE DESIGN DETAILS REMAIN THE PROPERTY OF SPUNLITE POLES & COE		A4	AS SHOWN
			REVISION
			A

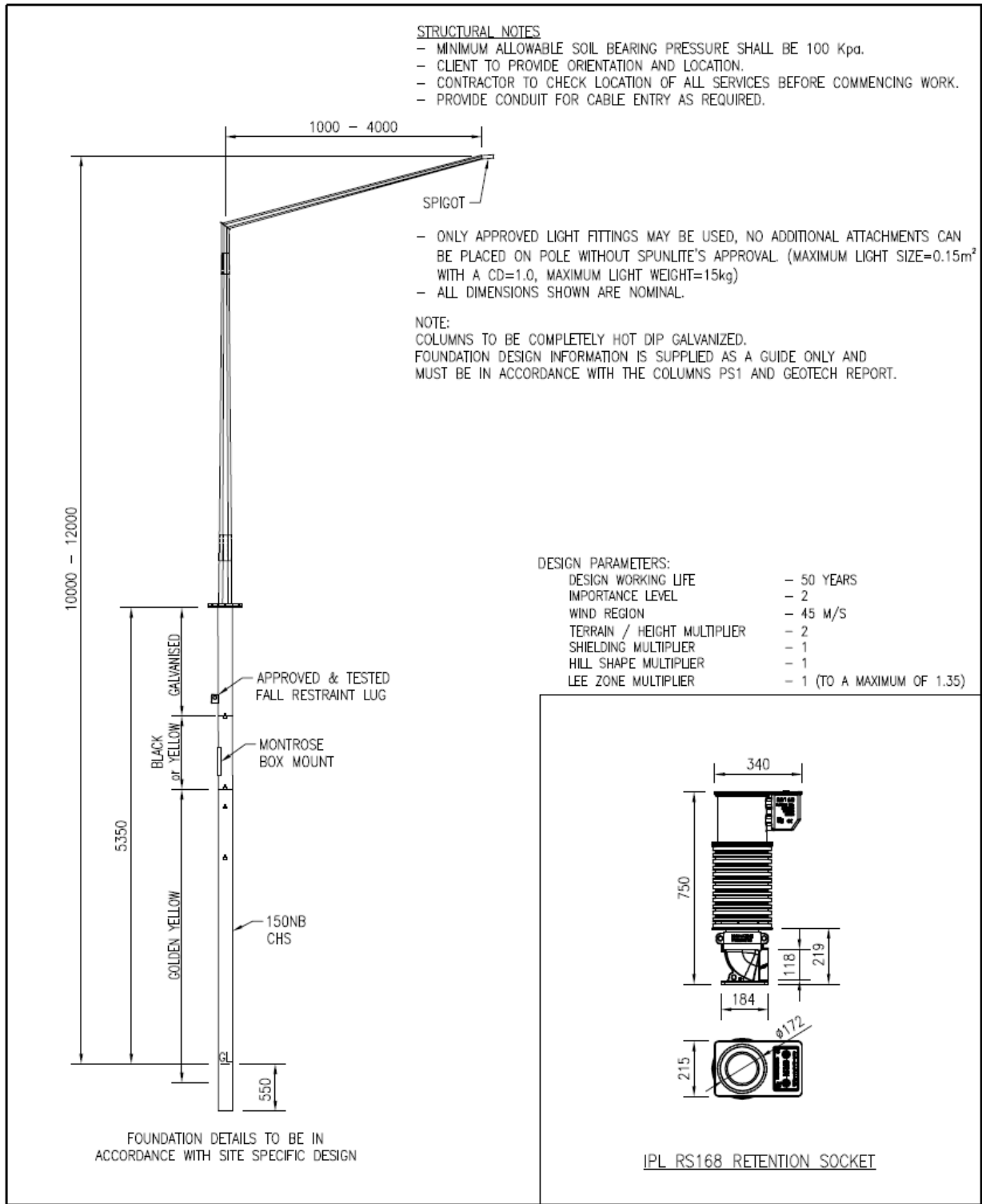
C:\Users\davidevans\National Pole Specification\Current Drawings\P43 National Traffic Specification Pole Drawings - 31.08.16.dwg

Figure C10 – Octagonal JUSP Pole Flange Mount



Rev	Amendment Description	By	Chk	Date	DESIGN PARAMETERS:	
A	Initial issue	DE	-	09/16	Design Working Life: - Importance Level: - Wind Region: - Terrain Category: - Site Elevation: -	
PROJECT: NZTA P43 SPECIFICATION FOR TRAFFIC SIGNALS ADDRESS: WELLINGTON					PROJECT NUMBER	SHEET
TITLE: OCTAGONAL JOINT USE SIGNAL POLE (JUSP) – FLANGE MOUNT					DRG.SIZE	SCALE
FULL POLE DESIGN DETAILS REMAIN THE PROPERTY OF SPUNLITE POLES & CO. C:\Users\davidevans\National Pole Specification\Current Drawings\P43 National Traffic Specification Pole Drawings - 31.08.16.dwg					A4	AS SHOWN
						REVISION
						C10
						A

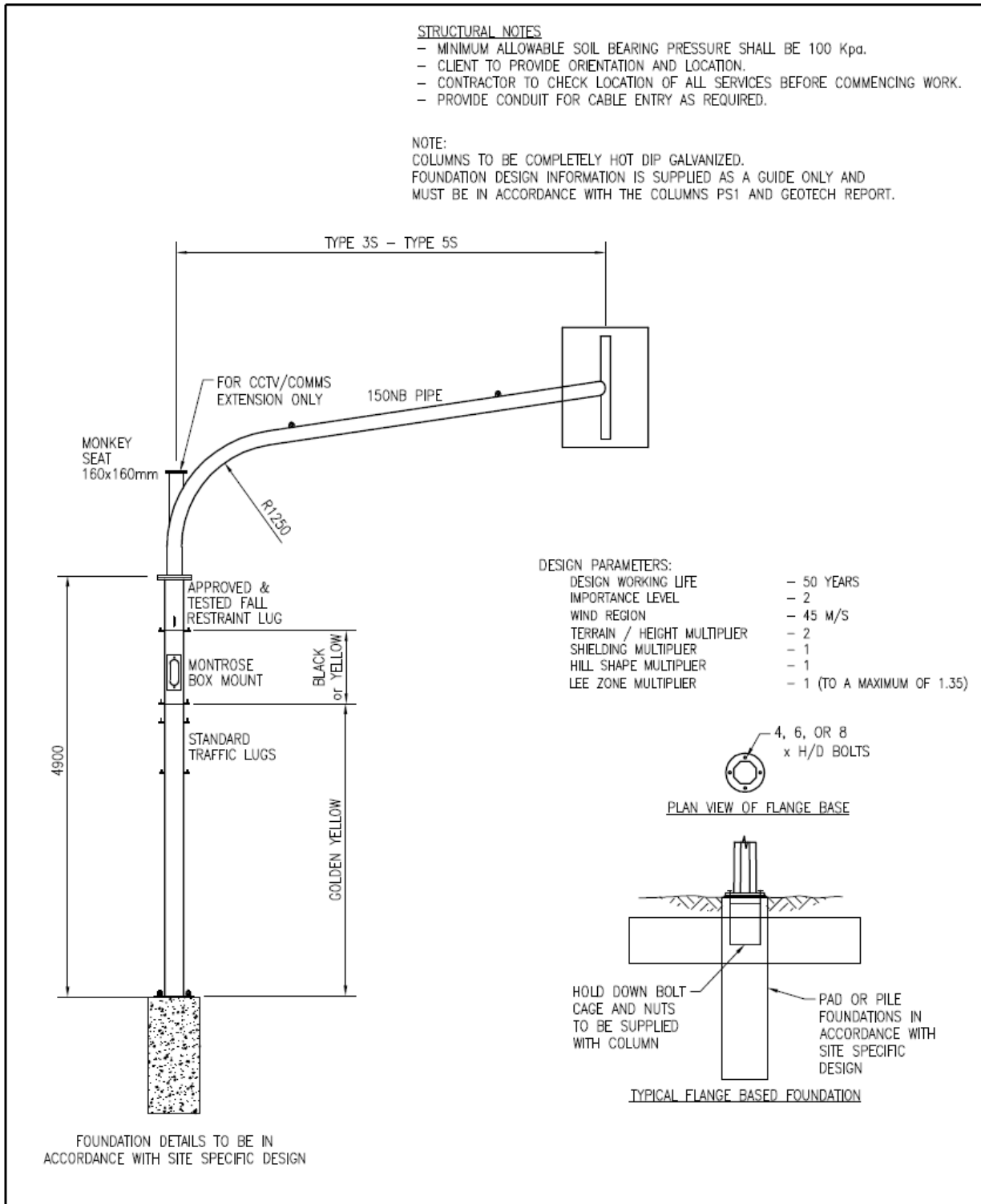
Figure C12 –Urban JUSP Retention Socket



Rev	Amendment Description	By	Chk	Date	DESIGN PARAMETERS:
A	Initial issue	DE	-	07/15	Design Working Life: - Importance Level: - Wind Region: - Terrain Category: - Site Elevation: -
PROJECT: NZTA P43 SPECIFICATION FOR TRAFFIC SIGNALS ADDRESS: WELLINGTON					PROJECT NUMBER
TITLE: URBAN – JOINT USE SIGNAL POLE (JUSP) IPL RS168 RETENTION SOCKET					DRG.SIZE
FULL POLE DESIGN DETAILS REMAIN THE PROPERTY OF SPUNLITE POLES & CCC					SCALE
					REVISION
					A

C:\Users\davidevans\National Pole Specification\Current Drawings\P43 National Traffic Specification Pole Drawings - 31.08.16.dwg

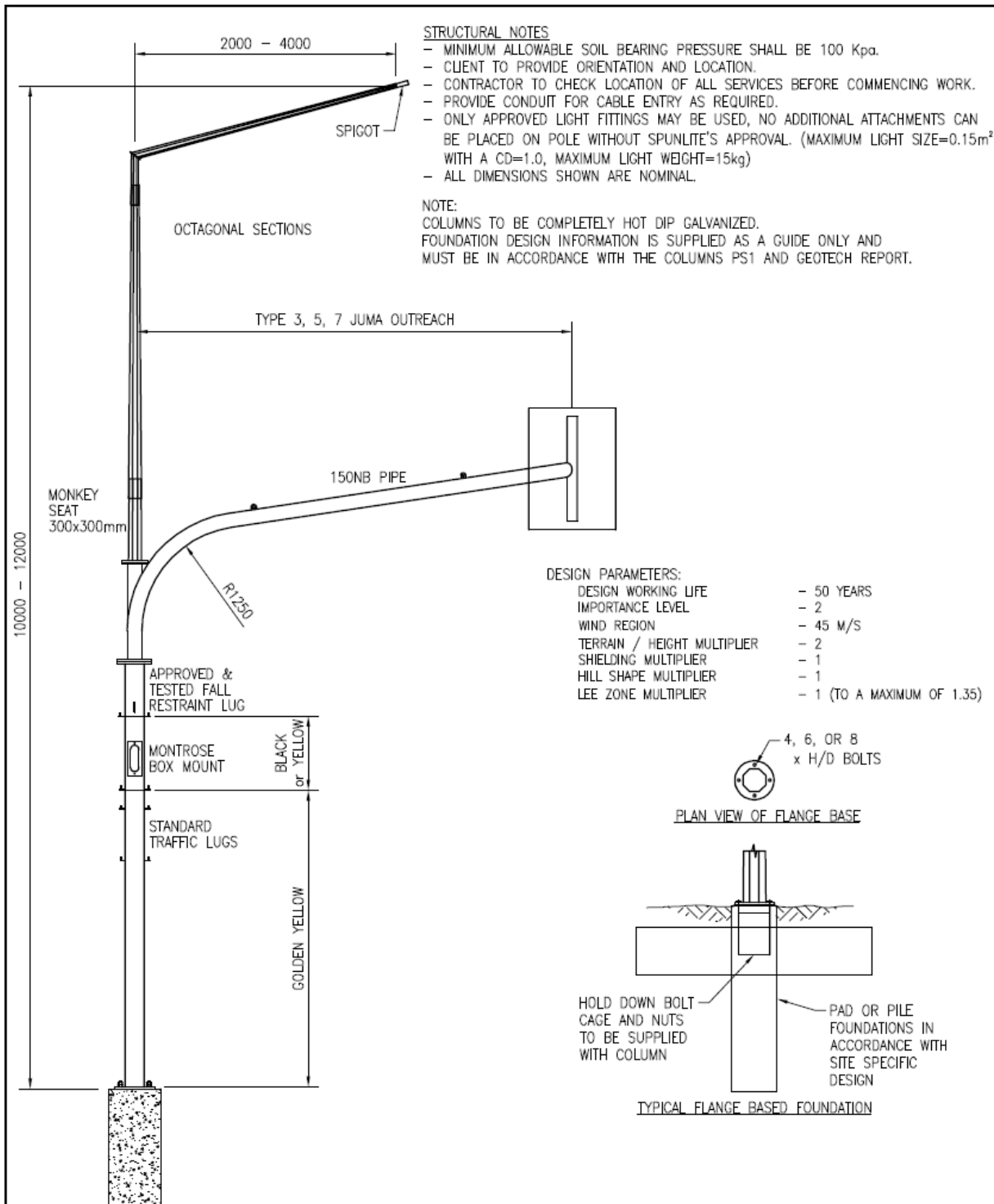
Figure C13 – Type 3s & 5s JUMA - CCTV - Flange Mount



Rev	Amendment Description	By	Chk	Date	DESIGN PARAMETERS:	
A	Initial issue	DE	-	07/15	Design Working Life: - Importance Level: - Wind Region: - Terrain Category: - Site Elevation: -	
PROJECT: NZTA P43 SPECIFICATION FOR TRAFFIC SIGNALS ADDRESS: WELLINGTON					PROJECT NUMBER	SHEET
TITLE: TYPE 3s & 5s JOINT USE MAST ARM - CCTV FLANGE MOUNT					-	C13
FULL POLE DESIGN DETAILS REMAIN THE PROPERTY OF SPINUTE POLES & CO					DRG.SIZE	REVISION
					A4	A
					SCALE	AS SHOWN

C:\Users\davidevans\National Pole Specification\Current Drawings\P43 National Traffic Specification Pole Drawings - 31.08.15.dwg

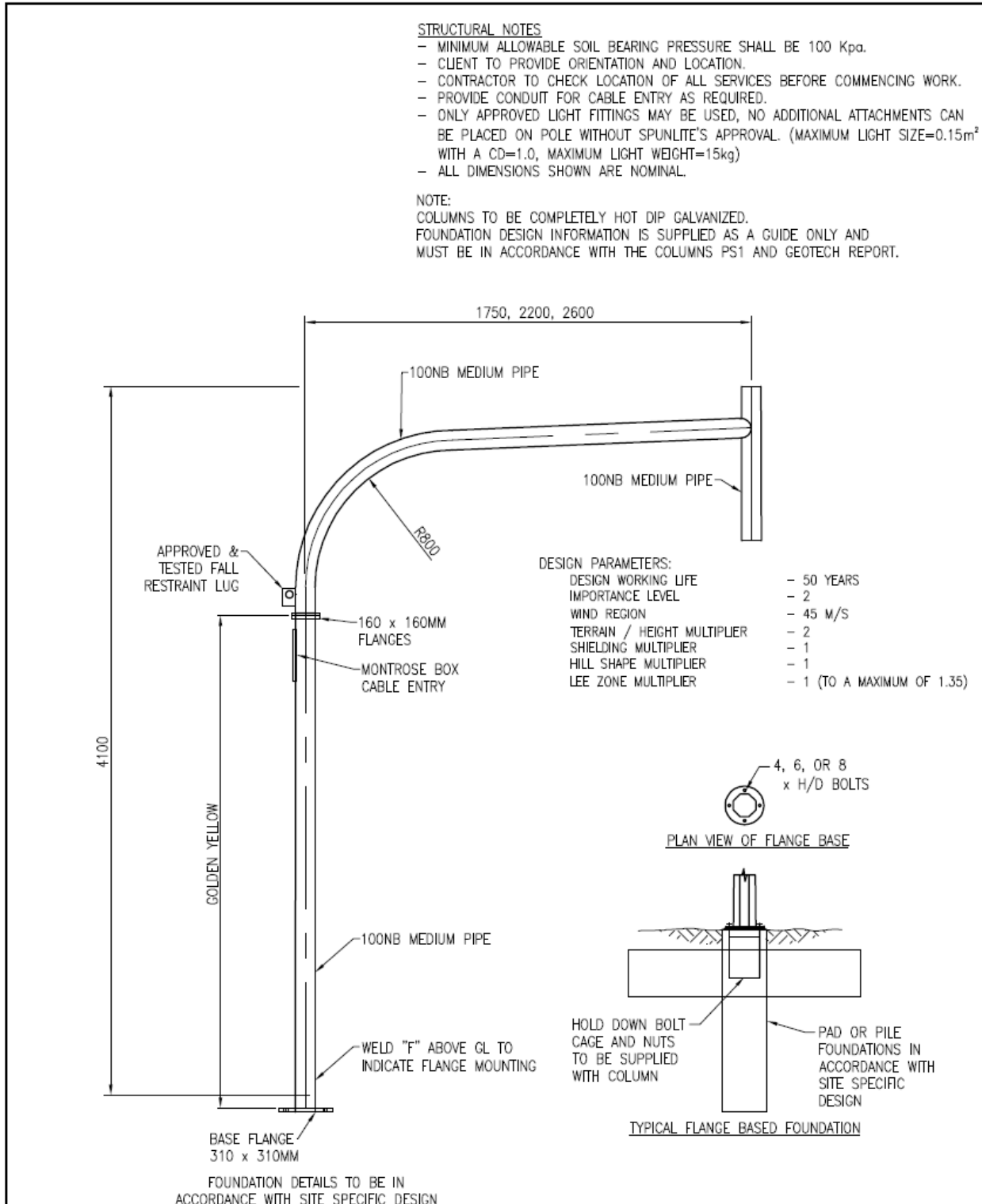
Figure C14 – Type 3, 5, & 7 JUMA Columns – Street Light Extension - Flange Mount



Rev	Amendment Description	By	Chk	Date	DESIGN PARAMETERS:	
A	Initial issue	DE	-	07/15	Design Working Life: - Importance Level: - Wind Region: - Terrain Category: - Site Elevation: -	
PROJECT: NZTA P43 SPECIFICATION FOR TRAFFIC SIGNALS ADDRESS: WELLINGTON					PROJECT NUMBER	SHEET
TITLE: TYPE 3, 5 & 7 JOINT USE MAST ARM (JUMA) FLANGE MOUNT with STREET LIGHTING EXTENSION					-	C14
FULL POLE DESIGN DETAILS REMAIN THE PROPERTY OF SPUNLITE POLES & CCC					DRG.SIZE	REVISION
					A4	A

C:\Users\daivevans\National Pole Specification\Current Drawings\P43 National Traffic Specification Pole Drawings - 31.08.16.dwg

Figure C15 – Type 9 Cycle Mastarm Columns - Flange Mount



STRUCTURAL NOTES

- MINIMUM ALLOWABLE SOIL BEARING PRESSURE SHALL BE 100 Kpa.
- CLIENT TO PROVIDE ORIENTATION AND LOCATION.
- CONTRACTOR TO CHECK LOCATION OF ALL SERVICES BEFORE COMMENCING WORK.
- PROVIDE CONDUIT FOR CABLE ENTRY AS REQUIRED.
- ONLY APPROVED LIGHT FITTINGS MAY BE USED, NO ADDITIONAL ATTACHMENTS CAN BE PLACED ON POLE WITHOUT SPUNLITE'S APPROVAL. (MAXIMUM LIGHT SIZE=0.15m² WITH A CD=1.0, MAXIMUM LIGHT WEIGHT=15kg)
- ALL DIMENSIONS SHOWN ARE NOMINAL.

NOTE:

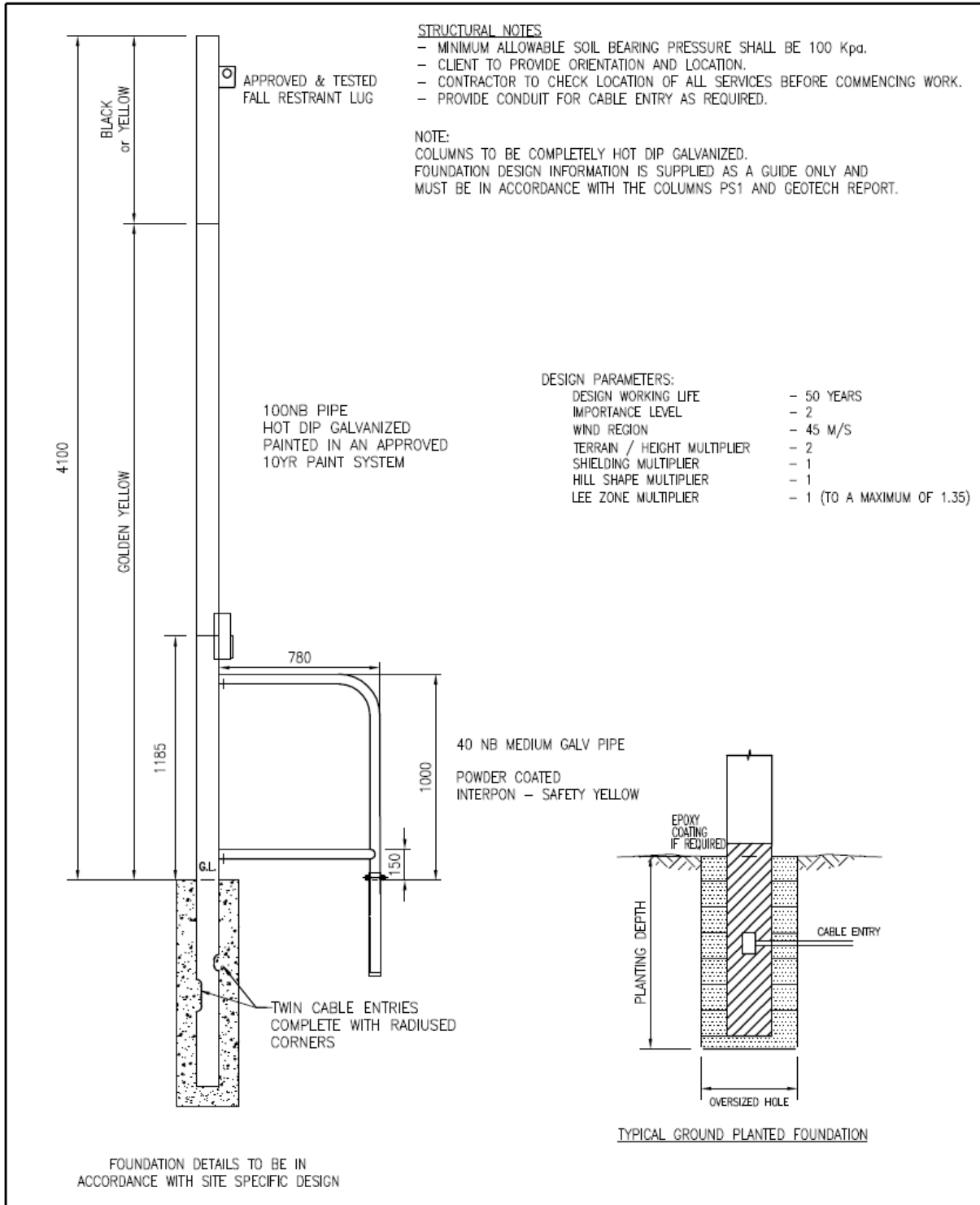
COLUMNS TO BE COMPLETELY HOT DIP GALVANIZED.
 FOUNDATION DESIGN INFORMATION IS SUPPLIED AS A GUIDE ONLY AND MUST BE IN ACCORDANCE WITH THE COLUMNS PS1 AND GEOTECH REPORT.

DESIGN PARAMETERS:

- DESIGN WORKING LIFE - 50 YEARS
- IMPORTANCE LEVEL - 2
- WIND REGION - 45 M/S
- TERRAIN / HEIGHT MULTIPLIER - 2
- SHIELDING MULTIPLIER - 1
- HILL SHAPE MULTIPLIER - 1
- LEE ZONE MULTIPLIER - 1 (TO A MAXIMUM OF 1.35)

Rev	Amendment Description	By	Chk	Date	DESIGN PARAMETERS:	
A	Initial issue	DE	-	07/15	Design Working Life: - Importance Level: - Wind Region: - Terrain Category: - Site Elevation: -	
PROJECT: NZTA P43 SPECIFICATION FOR TRAFFIC SIGNALS ADDRESS: WELLINGTON					PROJECT NUMBER	SHEET
TITLE: TYPE 9 CYCLE MAST ARM COLUMN FLANGE MOUNT					DRG.SIZE	REVISION
FULL POLE DESIGN DETAILS REMAIN THE PROPERTY OF SPUNLITE POLES & COC C:\Users\daivedevans\National Pole Specification\Current Drawings\P43 National Traffic Specification Pole Drawings - 31.08.16.dwg					A4	A

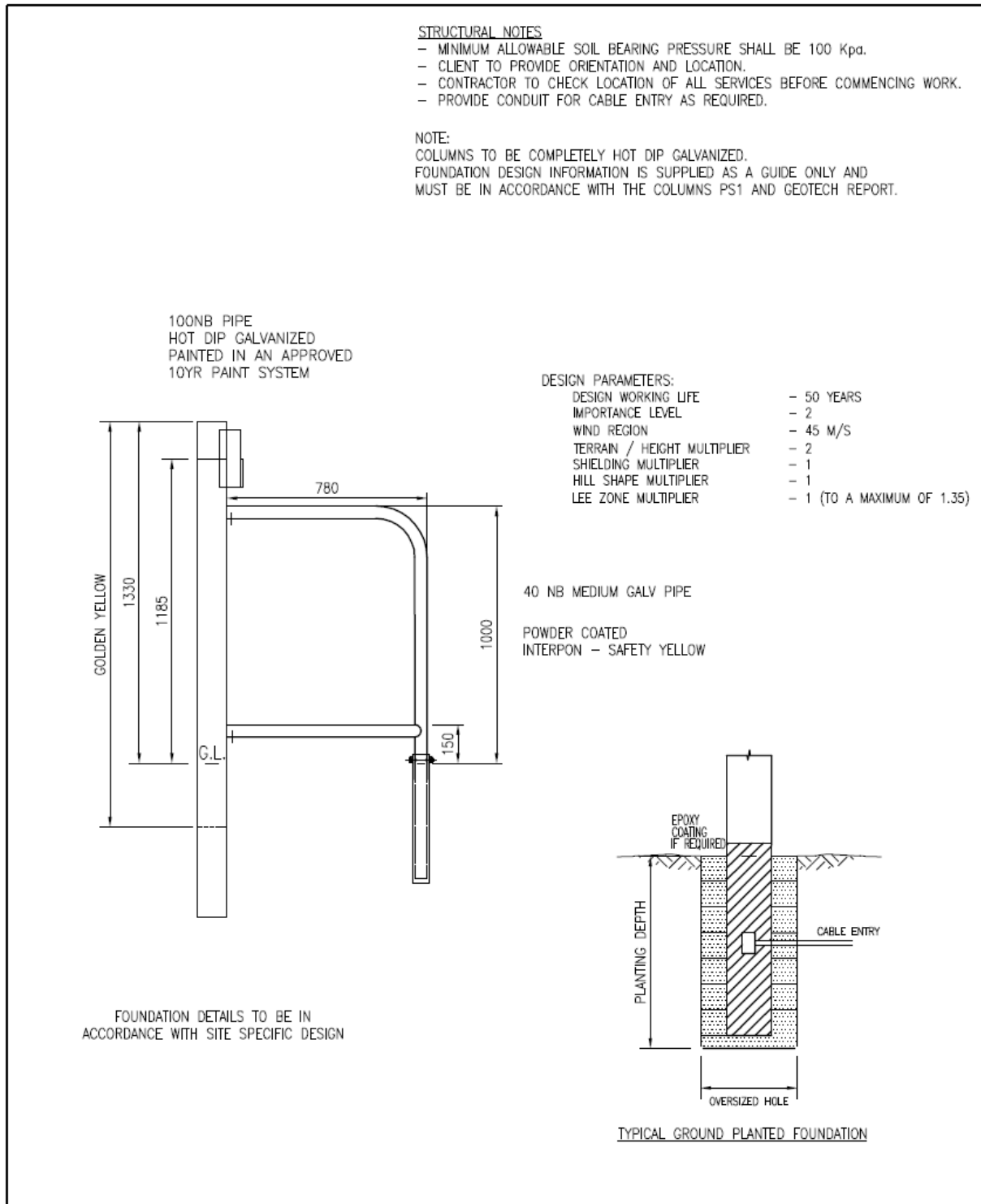
Figure C17 – Type 1 NASSRA Pole Cycle Hold Rail Ground Plant



Rev	Amendment Description	By	Chk	Date	DESIGN PARAMETERS:
A	Initial issue	DE	-	09/16	Design Working Life: - Importance Level: - Wind Region: - Terrain Category: - Site Elevation: -
PROJECT: NZTA P43 SPECIFICATION FOR TRAFFIC SIGNALS ADDRESS: WELLINGTON					PROJECT NUMBER -
TITLE: TYPE 1 NASSRA POLE with CYCLE HOLDING RAIL GROUND PLANT					DRG.SIZE A4
FULL POLE DESIGN DETAILS REMAIN THE PROPERTY OF SPUNITE POLES & COC					SCALE AS SHOWN
					SHEET C18
					REVISION A

C:\Users\davidevans\National Pole Specification\Current Drawings\P43 National Traffic Specification Pole Drawings - 31.08.16.dwg

Figure C18 – Pedestrian Stub Pole Cycle Hold Rail Ground Plant



Rev	Amendment Description	By	Chk	Date	DESIGN PARAMETERS:
A	Initial issue	DE	-	09/16	Design Working Life: - Importance Level: - Wind Region: - Terrain Category: - Site Elevation: -
PROJECT: NZTA P43 SPECIFICATION FOR TRAFFIC SIGNALS ADDRESS: WELLINGTON					PROJECT NUMBER -
TITLE: PEDESTRIAN STUB POLE with HOLDING RAIL GROUND PLANT					DRG.SIZE A4
FULL POLE DESIGN DETAILS REMAIN THE PROPERTY OF SPINUTE POLES & COC					SCALE AS SHOWN
					SHEET C18
					REVISION A

C:\Users\davidevans\National Pole Specification\Current Drawings\P43 National Traffic Specification Pole Drawings - 31.08.16.dwg

APPENDIX D - GROUND PLANT POLE DUCT ACCESS DETAILS

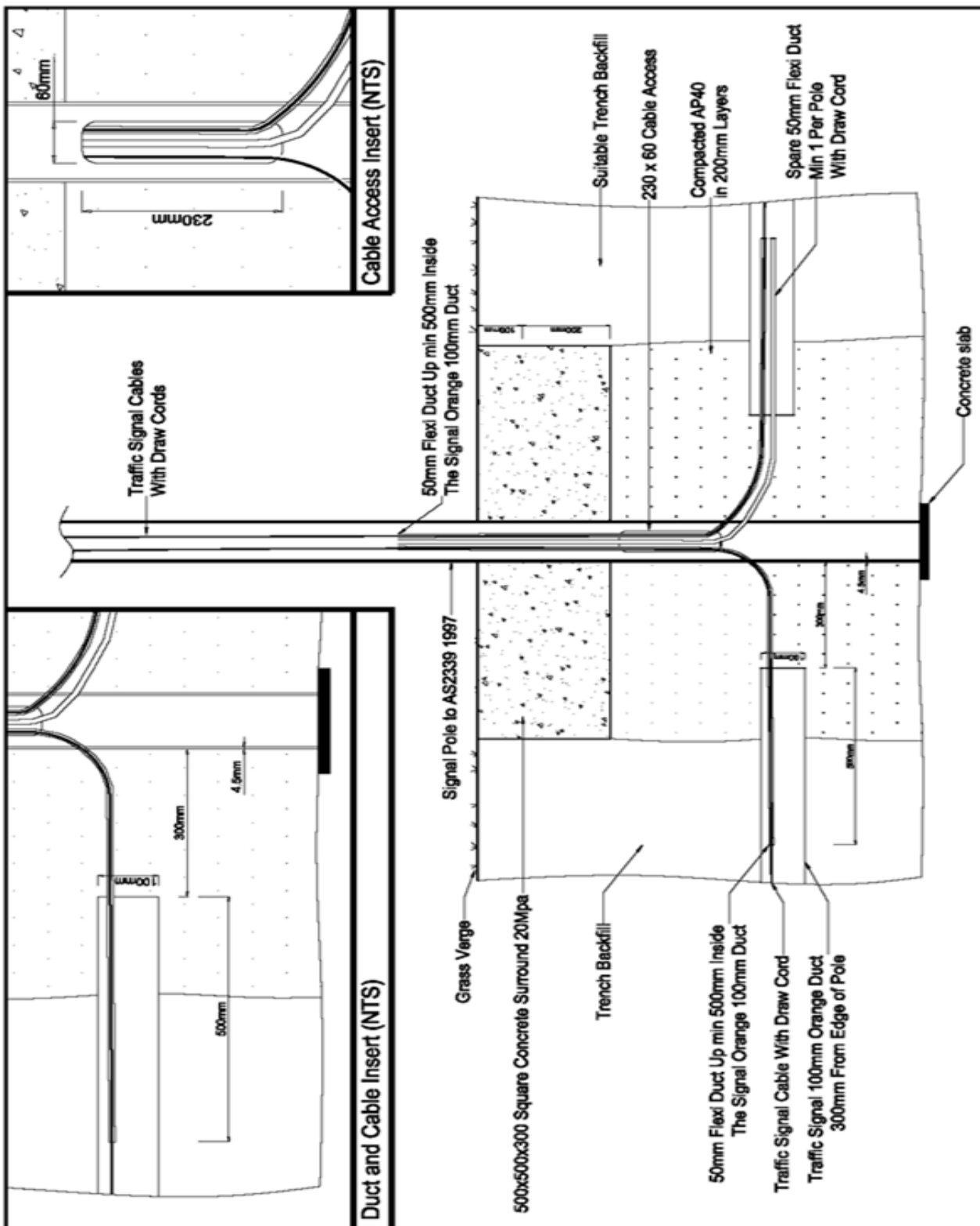


Figure D01 – Duct access details

APPENDIX E - LANTERN SHROUD DETAILS - INFORMATIVE

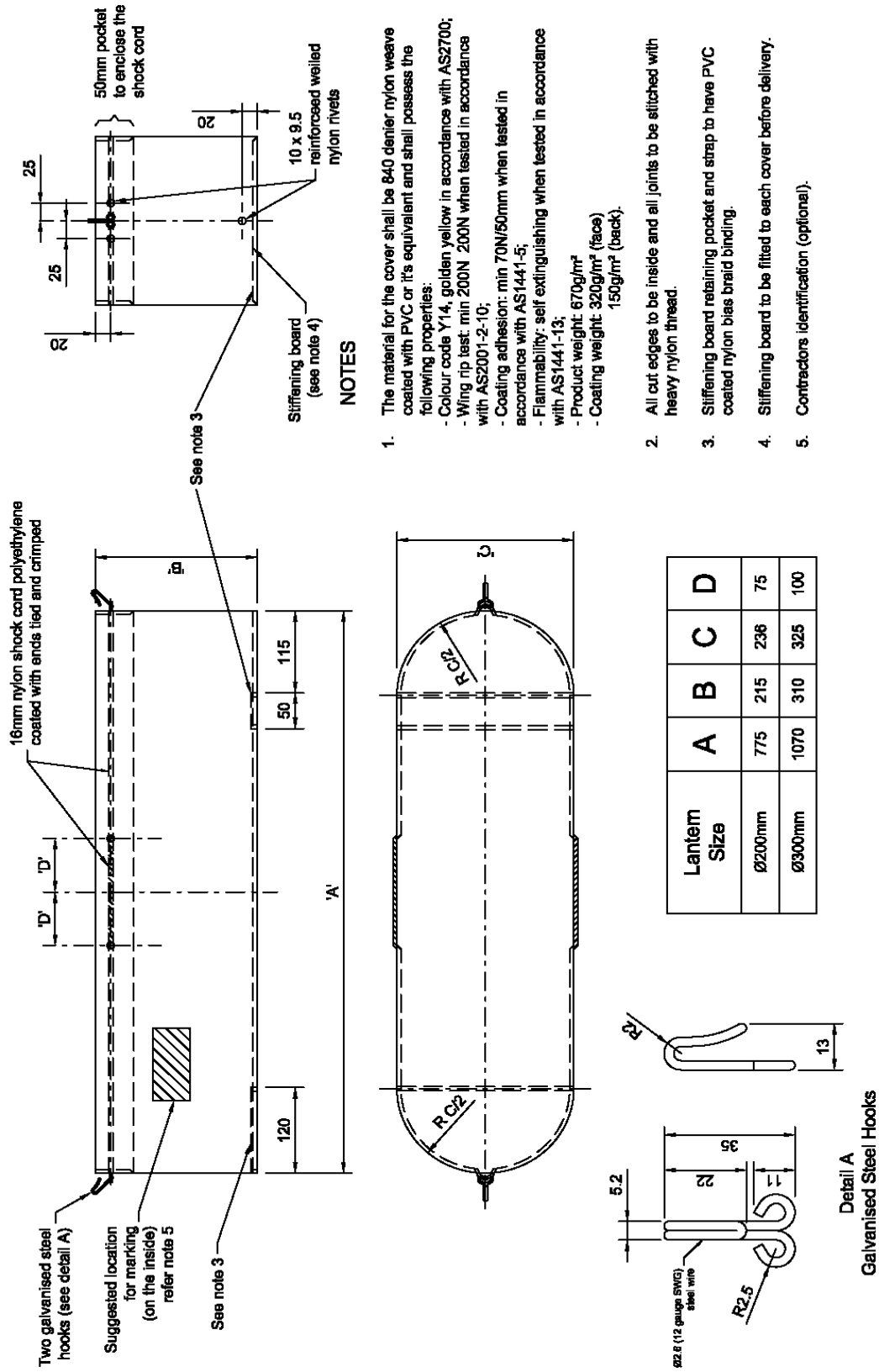


Figure E01 – Vehicle lantern shroud

APPENDIX F – CABLE TERMINATION CHART EXAMPLE

C.C.C TRAFFIC SIGNAL CABLE CONNECTION CHART

INTERSECTION NO: 3 5 5
 LOCATION: GRAHAMS/MEMORIAL
 LAST UPDATED: OCT 2001

NOTE : TERMINAL NO. = CORE NO. UNLESS SHOWN OTHERWISE
 ONLY ACTIVE CONNECTIONS & CHANGES IN CORE NO. SHOWN

	CABINET				POLE 1		POLE 2		POLE 3		POLE 4		POLE 5		POLE 6		POLE 7		POLE 8		POLE 9		POLE 10		POLE 11		POLE 12	
	T	To Pole No.:			T	To Pole:	T	To Pole:	T	To Pole:	T	To Pole:	T	To Pole:	T	To Pole:	T	To Pole:	T	To Pole:	T	To Pole:	T	To Pole:	T	To Pole:	T	To Pole:
Pole Number -	E	21	11	10	E		E		E		E		E		E		E		E		E		E		E		E	
Number of cores -	R	25	25	25	R		R		R		R		R		R		R		R		R		R		R		R	
Cable Direction -						11	C	3		2	4		3		5	7		6	8		7	9		8	10		C	9
OUTPUT GROUP 1	A RED	1		1				1							1		1											
OUTPUT GROUP 2	A YEL	2		2				2							2		2											
OUTPUT GROUP 3	A GRN	3		3				3							3		3											
OUTPUT GROUP 4		8	8	8		8		8							8		8											
OUTPUT GROUP 5		9	9	9		9		9							9		9											
OUTPUT GROUP 6		10	10	10		10		10							10		10											
OUTPUT GROUP 7		11		11						11		11									11		11					
OUTPUT GROUP 8		12		12						12		12									12		12					
OUTPUT GROUP 9		13		13						13		13									13		13					
OUTPUT GROUP 10		14	14	14						14		14									14		14					
OUTPUT GROUP 11		15	15	15						15		15									15		15					
OUTPUT GROUP 12		16	16	16						16		16									16		16					
OUTPUT GROUP 13		17		17		17																						
OUTPUT GROUP 14		18		18						18																		
OUTPUT GROUP 15		19		19											19						19							
OUTPUT GROUP 16		20		20											20						20							
OUTPUT GROUP 17		21		21						21		21																
OUTPUT GROUP 18		22		22						22		22																
OUTPUT GROUP 19		17	17			17																						
OUTPUT GROUP 20		18	18			18																						
PB1 (9)	13		23	23																	23							
PB2 (10)	14			24											24													
PB3 (11)	15	25		25						25		25																
PB4 (12)	16	23	25			23					23																	
DET NO																												
DET NO																												
DET NO																												
DET NO																												
EARTH (4)	4	4			4	4		4	4		4	4		4	4		4	4		4	4		4	4		4	4	
DET. RETURN (5)	5	5			5	5		5	5		5	5		5	5		5	5		5	5		5	5		5	5	
PHASE (6)																												
NEUTRAL (7)	7	7			7	7		7	7		7	7		7	7		7	7		7	7		7	7		7	7	

Table F01 – Example cable termination chart

APPENDIX G – SITE ACCEPTANCE TEST CHART

Intersection name:		
Number:	Date:	
Contract name and number		
Commencement date		
Signals and civil contractor		
Pre-inspections	Y/N or N/A	Comments
Duct connections to poles		
Loops positioned correctly		
Recorded loop positions		
Texiphalte installed cleanly		
> 12 mm loop feeder cover		
Operations	Y/N or N/A	Comments
E-Prom labelled (check sum)		
Lamps off, controller ops		
Copy RAM to controller		
Check fault log, clear		
Full start up:		
Flash test each Signal Group		
Flashing ambers working		
Check all red (SPT = 10 s)		
Revision on correct phases		
All default phases call		
Monitor operations in HHT		
After full start up:		
Other phases call (xsf/flags)		
Ped protection OK		
Mains off-on, controller ops OK?		
Last gasp (PF in SCATS Log)		
Poles	Y/N or N/A	Comments
Correct location & vertical		
Concrete collar (500 mm)		
Painted		
Fold down poles work		
Pole numbers installed & manufactures date fitted		
All lanterns	Y/N or N/A	Comments
Attached and aligned correctly		
Locking device, spring washers, and lock nuts fitted		
Correct height (3.2 m – 4.1 m)		
Directional arrows aligned		
Louvres installed correctly		
Correct visors installed		
Ped lanterns:		
Attached correctly		
Ped lantern height/align (3 m)		
Correct visors installed		

Table G01 – Site acceptance sheet 1 of 3

Intersection name:		
Number:	Date:	
Pedestrian crossing	Y/N or N/A	Comments
<i>Push buttons:</i>		
Install correct height (1.1 m)		
Callbox Operating (calling walk)		
Sound levels (High)		
Audio unit audible (operating)		
Mutable unit OK (if fitted)		
Arrow aligned to crossing		
Tactile vibration OK		
PB light indicator (if fitted)		
<i>Ped Detectors:</i>		
Camera installed OK		
Camera activates OK		
Instruction labels installed		
Controller	Y/N or N/A	Comments
Make, type, and size		
Signal group size/No. of		
Detector card size/No. of		
DP number		
ICP number		
Det card operation check		
Gland plate labels (on top)		
Cable looms labels (under)		
Detector switches labelled		
Signal groups numbered		
Detector blocks numbered		
Cable glands sealed		
Spare sockets working		
Wiring tidy		
Logic rack secure		
Door seals and locks		
Vehicle detectors	Y/N or N/A	Comments
KJB 100 mm concrete surround		
KJB 20 mm concrete pad		
Loop joins using approved method		
> 1.8 m slack in controller base		
> 0.5 m slack in KJB		
Cabling and earthing	Y/N or N/A	Comments
Telecom cable identified		
Impedence test reports		
Street lighting labelled		
RCDs labelled		

Table G01 – Site acceptance sheet 2 of 3 (continued)

Intersection name:	
Number:	Date:

Cabling and earthing	Y/N or N/A	Comments
Draw cables installed/work		
Controller cabinet earthed		
In cable slack in chambers		
Civil Works	Y/N or N/A	Comments
Connect ducting as per specs		
Chambers level with surface		
Plastered inside chamber		
Kerbing installed correctly		
KJB concrete installed (100 mm)		
KJB drainage installed (100 mm)		
Road surface condition		
Footpath surface condition		
Pram ramps installed		
Directional Pavers Aligned		
Road markings installed		
Drainage. ESP at crossings		
Grass berms restored		
Correct signage installed		
Temp advance warnings		
Documentation	Y/N or N/A	Comments
<i>In controller</i> (Laminated)		
Controller information sheet		
Intersection information sheet		
Intersection as-built drawing		
Electrical Certificate of Compliance (incl Earth Loop Impedance Values for each pole)		
Log book		
Other	Y/N or N/A	Comments

Commissioning/Switch-on date:		
RCA Traffic Signal Engineer:		
Sign:		Date:
Signal contractor:		
Sign:		Date:

HAND OVER TO RCA FOR OPERATIONS AUTHORISED WHEN SIGNED ABOVE

Table G01 – Site acceptance sheet 3 of 3 (continued)

APPENDIX H – CONTROLLER BENCH TESTING FORM

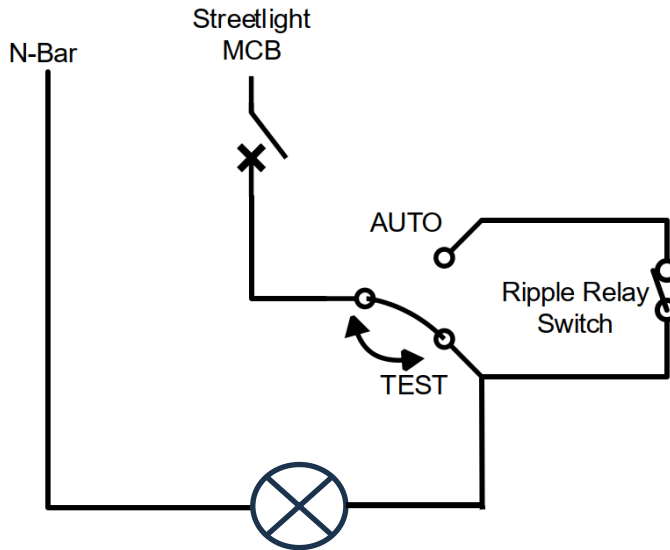
Intersection name	
Intersection identification	Controlling authority:
	Intersection number:
Personality file number	
Date Software / SFT created	
Name of PROM tester	
Date Software / SFT bench tested	
Software / SFT bench test	Pass Fail

Test	Result/ comment	Signed
Time settings - Vehicle		
Time settings - Pedestrian		
Time settings - Presence		
Time settings - Special purpose		
Flexilink call data		
Filter operation		
Special logic		
Pedestrian Protection		
Calling detectors		
Phase movements		
Conflict matrix		
Ram version / Checksum No.		
Functionality		

Table H01 – Controller bench test form

APPENDIX I – STREET-LIGHT CIRCUIT EXAMPLE

Figure I01 – Typical circuitry for street-lighting powered from a traffic signal controller.



Kraus & Naimer BLUE LINE switchgear		CA10		A240			
		5	7	9	11		
Face Plate 		Norm TEST 1 3					
Switching Angle 60 Total switching Angle 120		2	4	6	8	10	12
0 OFF							
1 NORM							
2 TEST							

APPENDIX J – NEW INTERSECTION COMMISSIONING FORM

Table J01 – New installation acceptance (NIA) checklist follows on next page

Description	Evidence	Check
Traffic signal controller	RTA type approval – Module	
	RTA type approval – Housing	
LED aluminium lanterns	RTA type approval for each lantern type	
	NATA certified laboratory report	
Poles under 5.2 m	Comply with AS 2339	
	SUMB to be an RTA approved UMB	
Poles over 5.2 m	Engineers design and certificate of compliance	
Poles (posts)	Design certificate and a certificate of compliance from a suitable Chartered Professional Engineer (CPEng)	
RAMM collection sheet	Completed RAMM Asset Data Form (Appendix K)	
Test certificates	Original certificate of compliance	
	Bench testing laboratory statement/certificate with the test engineers signature	
	Comply with the Electricity (Safety) Regulations, AS/NZS 3000, and approved by the local power supply authority	
	Delivery dockets of concrete supply from a certified readymix plant	
Supply of electric power	The original of the certificate of compliance	
Producer statements/Hardware guarantees	Certified copy of products/equipment on a signed and dated paper with company letterhead, as well as a copy of the drawing for the products/equipment being certified	
Documentation	Instruction manual	
	Both two hardcopies and an electronic copy of controller information sheet and cable termination chart	
	Cabling and ducting record	
Reflector	Comply with AS 2144	
Visors and louvre	Comply with AS 2144	
Pedestrian push button assemblies	Comply with AS 2353	
	Approved push button units	
	Approved audio tactile driver and housing	
Vehicle loop detectors	Comply with AS 2703	
Detector loop wire	Comply with AS/NZS 2276.3	
Earthing/bonding	Comply with AS/NZS 3000:2018	
Switch/Earth termination	Comply with IEC 60947-7-1, IEC 60998-1, and IEC 60998-2-1	
As-built drawings	Supplied as hardcopy and in AutoCAD.DWG formats	
C & I	Hard copy and spreadsheet formats	
Keys	Two full sets	

APPENDIX K – RAMM ASSET DATA FORM

Int #			Date:				Int Name							
Item	Pole No.	Pole Mount (G.p., Flange, etc.)	Road the pole is on			Condition ratings	Lantern							
			No. of aspects	Road name - Material (plastic or metal)	Size		Level (OH or LL)	Type (Pri, Sec, Tert, Ped)	Manufacturer	Lantern body (metal or plastic)	Display (Thru, LT, RT, Ped, T&RT, T<, L&RT)	No. of aspects	Lens size	Lamp type (QH, LED)

Table K01 – Asset information form

APPENDIX L - CONTROLLER GLAND PLATE - INFORMATIVE

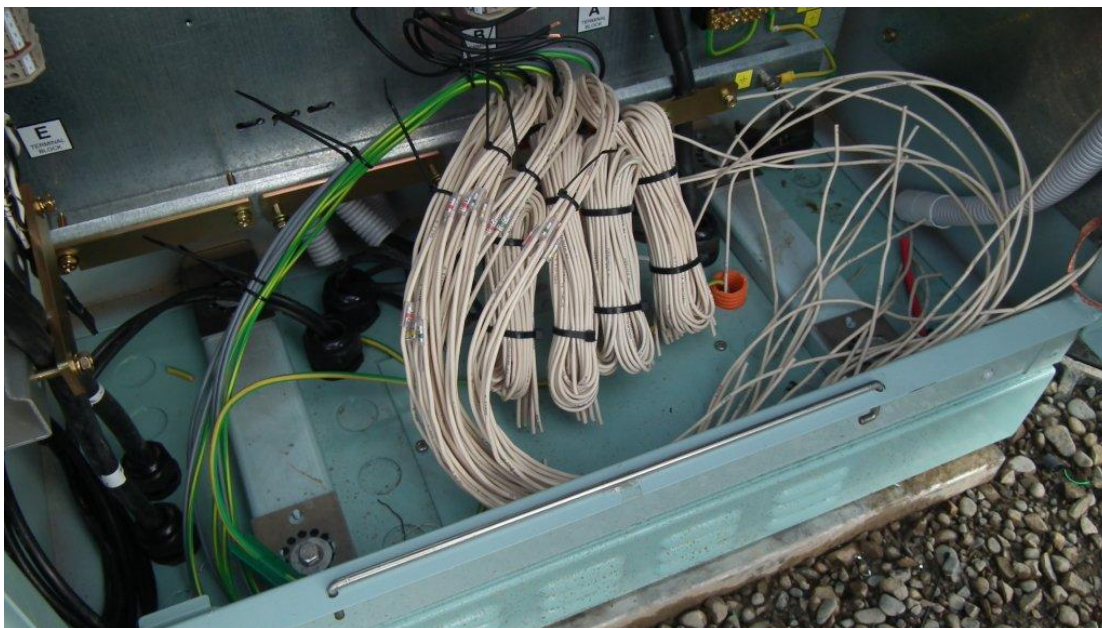


Figure L01 –Bottom of controller with gland plate fitted and access panel fitted

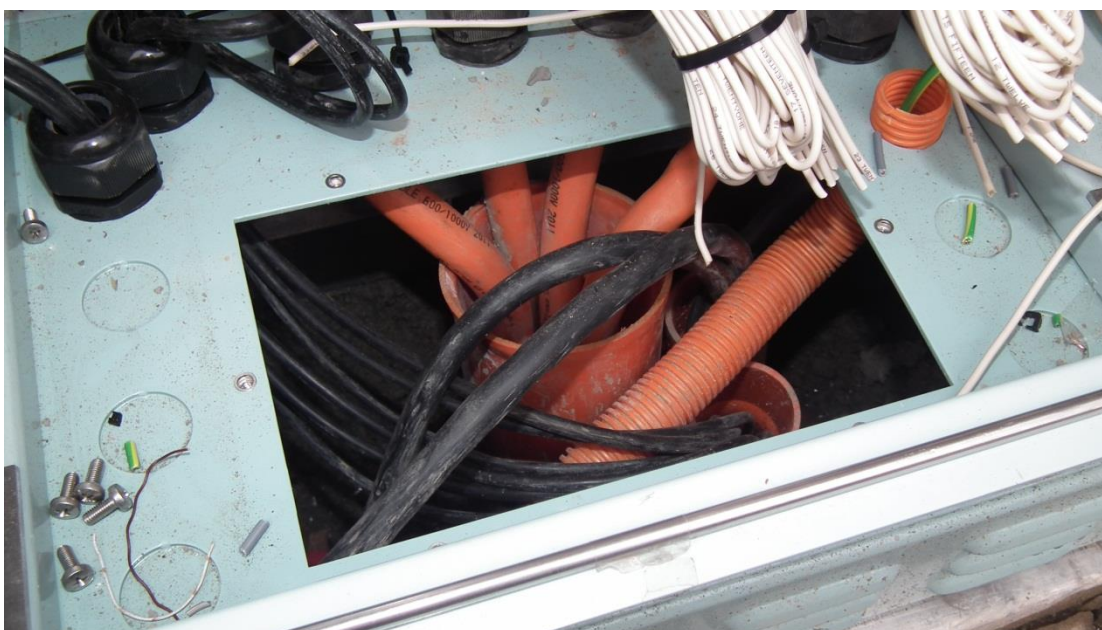


Figure L02 –Bottom of controller cabinet with gland plate access panel removed

APPENDIX M –CYCLE PUSH BUTTONS - INFORMATIVE



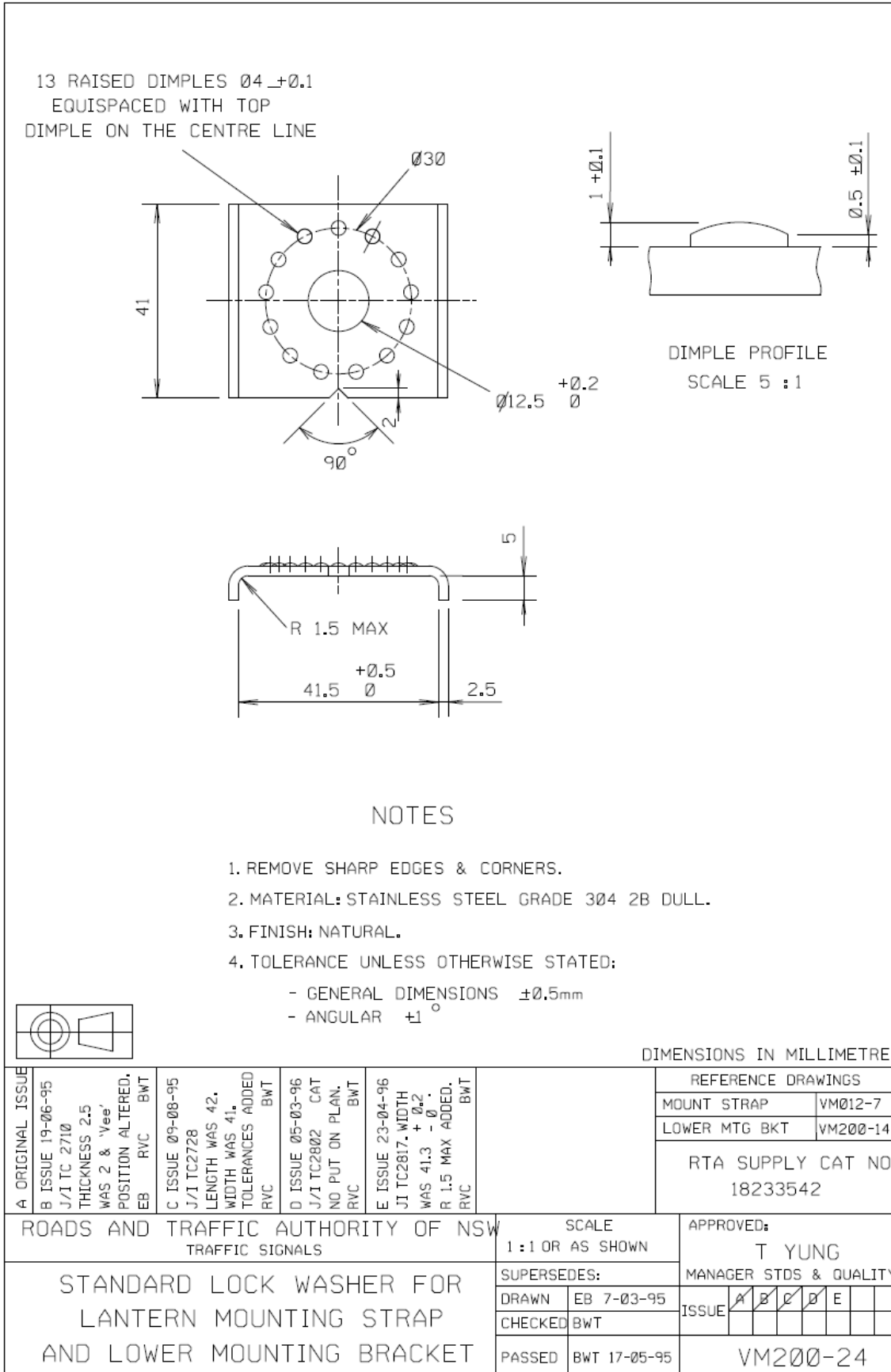
Figure M01 – Cycle call unit with small call accept indicator .

* Note, where automatic cycle detection is used, the pushbutton can be replaced with a blank. If a push-button is fitted, it MUST trigger a cycle phase call.

Figure M01 – Cycle Push Button with cycle disc and call-accept

APPENDIX N – MOUNTING STRAP LOCKING MECHANISM

Figure N01 – Mounting Strap Locking Mechanism (Dimple Washer)



APPENDIX O – UPS PRIORITISATION CHART

Factors	Description	Weighting	Max Points	Total
Intersection Factors				
a. Intersection Legs	Where an intersection has more than 4 legs, add 1 point	20	1	20
b. Right Turn Bays	For each right turn lane at the intersection, add 1 point (maximum 4)	2.5	4	10
c. Geometry	Where an intersection has poor sight distance, e.g. irregular horizontal geometry or steep gradients, add 1 point	15	1	15
d. Speed	Where the posted speed limit of any leg is equal or greater than 60km/h, add 1 point	25	1	25
e. AADT	Where the total AADT of the intersection exceeds: 10,000, add 1 point; 20,000, add 2 points; 30,000, add 3 points; 40,000, add 4 points	10	4	40
f. Pedestrians / Cycles	If the combined pedestrian / cyclist count exceeds 100 in any hour, add 1 point	25	1	25
Historical Factors				
g. Power Outage	For each power related signal outage longer than 15 minutes within the last 5 years, add 1 point (maximum 5)	10	5	50
h. Crashes	For each serious or fatal crash within the last 5 years at the intersection, add 1 point (maximum 3)	20	3	60
Proximity Factors				
i. Rail Crossing (inc Lightrail)	If there is a rail grade crossing within 50m of the intersection, add 1 point	10	1	10
j. Children	If the signals are heavily used by children (e.g. proximity to a school), add 1 point	30	1	30
k. Other Traffic Signals	If another signalised intersection is not within 3km of the intersection, add 1 point	10	1	10
Other Factors				
l. Evacuation / Emergency Route	If the intersection is on an evacuation or emergency route, add 1 point	40	1	40
m. Truck Route	If the intersection is on a main truck route, add 1 point	5	1	5
n. Non – Filter RT	If the intersection has non-filter RT across multiple lanes add 1 point	10	1	10
Total				350

Table O01 – UPS Prioritisation Chart

Where the total exceeds 150, provision of a UPS system is highly recommended.

Where the total exceeds 100, provision of a UPS system should be considered.

Where the total does not exceed 100, provision of a UPS system is not considered to be warranted.

APPENDIX P – 230V STREETLIGHTS ON ELV CONTROLLERS

Link to NZTA Specification for Streetlight Connection at ELV Traffic Signal Sites –
https://snug.org.nz/wp-content/uploads/2023/07/10.2_ELV_StreetLights.pdf

APPENDIX ZZ – REVISION UPDATE CHANGE LOG

Rev here - Second Amendment Version 2 – 16 August 2018
 Initial issue -----

Rev here - Second Amendment Version 3 – 01 June 2020

Maintenance and upgrade added to document scope	Section 1.1, 1.2, 1.4 & 2.1
Update process expanded	Section 1.5.1 & 1.5.2
AS/NZS Standards reviewed and brought up to date	Various sections
UPS information added	Various sections
Glossary added	Section 1.7.3
Provisional approval maintenance obligations amended	Section 2.2.1
Guarantee / Warranty period – clarity around period start	Section 2.2.2
Standby generator connection – new clause added	Section 2.3.2
Street-lighting power connection details expanded, and diagram added	Section 2.3.2, Appendix I
New Controller types - Maintenance Contractor added to (b)	Section 2.3.5
Extended range signals use as directed by RCA	Section 2.4.2
Fall restraint mount made mandatory on new poles	Section 2.5.1
Pole retention socket added as a mounting option	Section 2.5.1.3
Pole electrical warning label requirement added	Section 2.5.1.3
Cycle loop layout change & external DET requirements amended	Section 2.7.1, 3.11.4, Appendix A
Labelling requirements around termination of multiple cables clarified	Section 3.5.1
External detector power supply clarified	Section 3.8
Pole location prior to installation requirements	Section 3.9 & 4.5
SCATS loop futureproofing requirements included	Section 3.11
Pedestrian and cycle push button assembly arrow orientation	Section 3.12
Software (personality) Testing requirements added	Section 3.15.3
Signal duct access chambers location and cover clarification	Section 4.4.2
Fault attendance error rectified (able amended to unable)	Section 5.1
Traffic signal poles figure C11, C16 deleted and C12 renamed	Appendix C
Software Check sheet, minor wording amendments	Appendix H
Cycle push button unit – additional picture (M03) added	Appendix M

Rev here - X.X.X.X REV DETAILS..

Add definition for 'Commissioning', 'Commissioning Date', and 'Asset handover',	Section 1.7.1
Remove 'streetlight' from JUMA description,	Section 1.7.2
Section 2.1.1.1 – 2.1.1.3 moved to 2.8.1.1 – 2.8.1.3,	Section 2.1.1.1
Remove paragraph on commissioning,	Section 2.2.2
Streetlight power <i>must</i> be feed through signal cabinet,	Section 2.3.2(c)
Minimum firmware requirements set to VC6,	Section 2.3.4(a)
Add 'and firmware',	Section 2.3.4(b)
New section requiring tophat cabinet, shelf, and communication power rail,	Section 2.3.6
ELV required for new sites,	Section 2.3.7
Heading, remove 'posts',	Section 2.5
Clarify 10 deg angle requirement,	Section 2.5.1
All new sites to use retention sockets, PS3 now to be included in as-builts for pole installation,	Section 2.5.1.3
Remove requirement for Montrose box rear cable entries to be glanded, add requirement about cable requiring drip-loop, add notes about streetlight transformer and required labelling,	Section 2.5.2.5
Add 'by time of day',	Section 2.6.1(c)

Remove large red disk call-accept option, add note that if push button is installed, it must be connected,	Section 2.6.3(c)
Update reference,	Section 2.8.1.2
Add paragraph on UPS selection recommendation,	Section 2.8.1.3
Add requirement to cover ped pushbuttons during construction,	Section 3.12.1
Add requirement for pedestrian facilities instructions for use,	Section 3.12.2
Correct table number reference, change signal pole colour requirements,	Section 3.13
Rearrange paragraph on documentation requirements for commissioning, update references, reduce final documentation supply time to 2 weeks (from 4), add ROI to 3.16(f),	Section 3.16
Ducts to be cut back to 100mm from chamber wall,	Section 4.4.2
Add red colour option to loop feeder instead of orange, clarification of sheath earthing point,	Section 4.4.4
Permit conditions for deeper ducts, Clarify / increase duct requirements, add requirements for minimum bend radius, clarify who approves the conduit glue, location of KJB,	Section 4.4.1
Update location of KJB, add CLB & ducting from CLB to KJB,	Section 4.7
Changed around for quicker safety response,	Section 5.1 & 5.2
Update drawing details for KJB & CJB, add note about number of turns in cycle detection loop,	Appendix A
Update diagram from hand-drawn,	Appendix I
Remove obsolete cycle call button images,	Appendix M
Delete as contained irrelevant information	Appendix P & Q